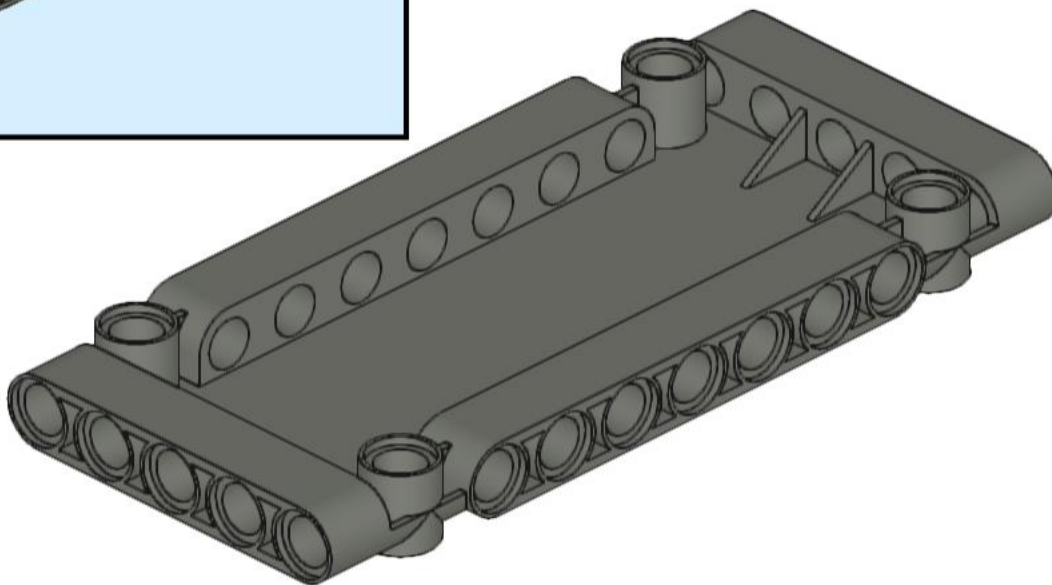
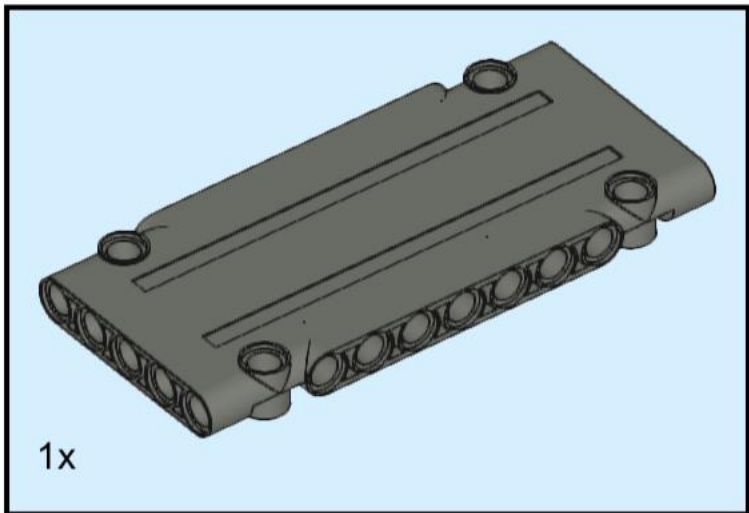
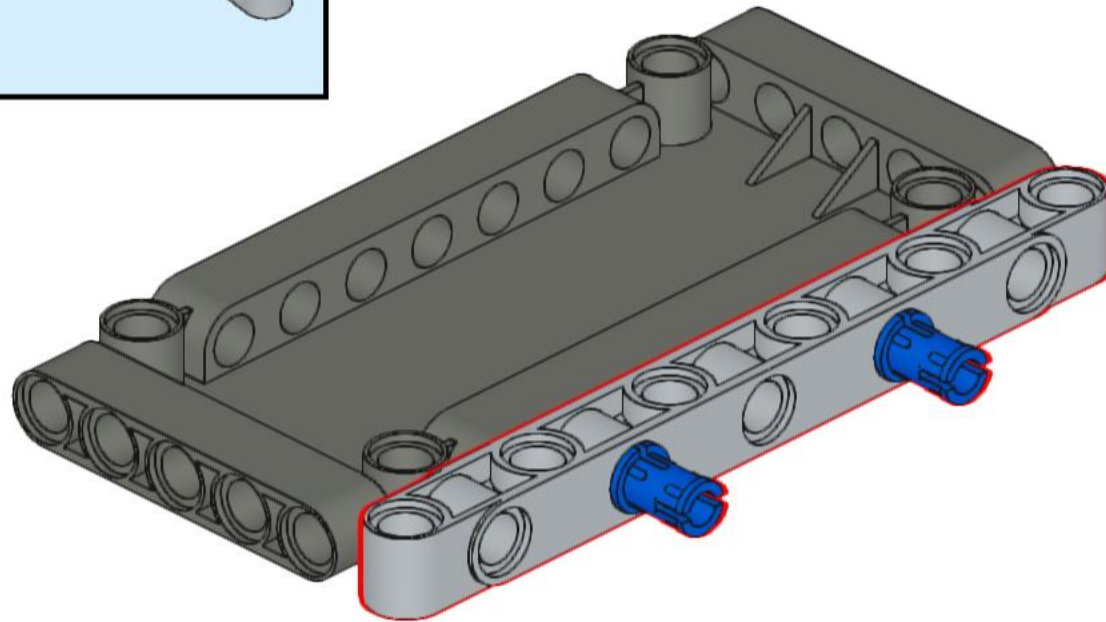
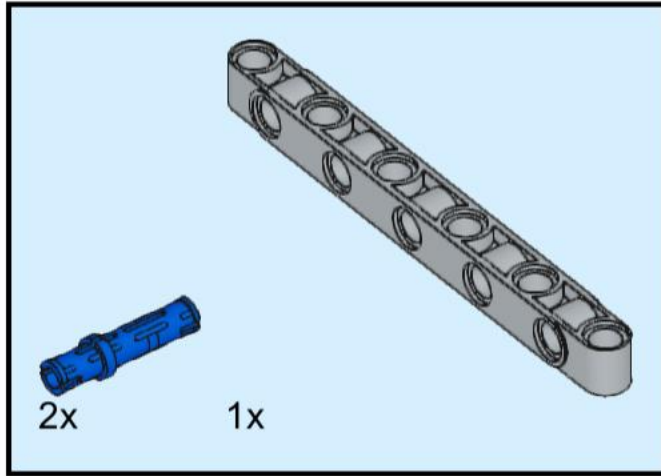


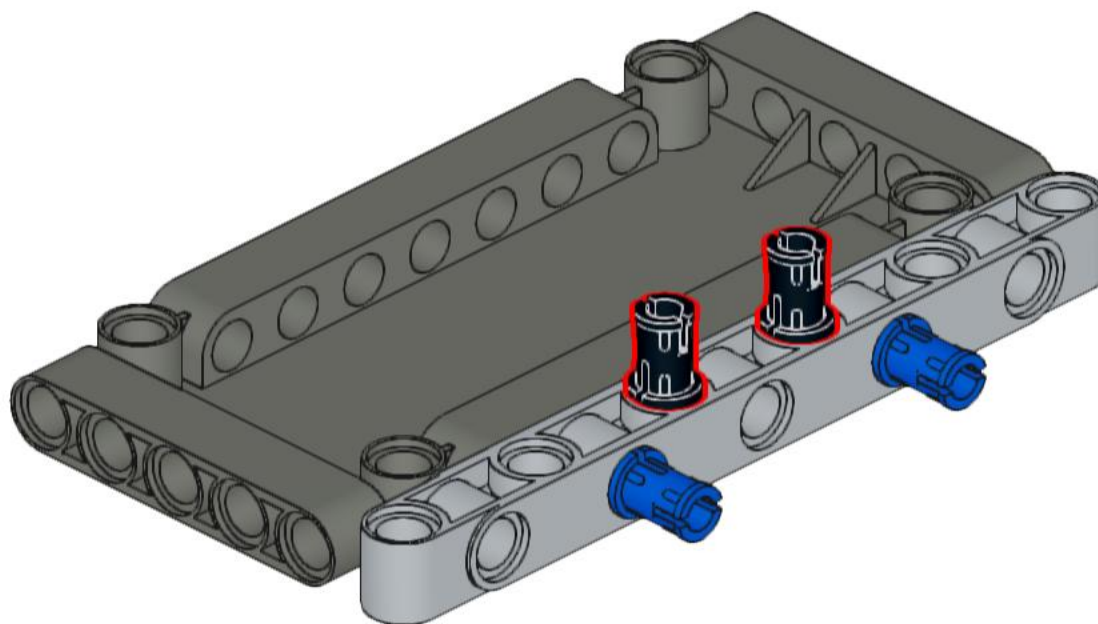
1



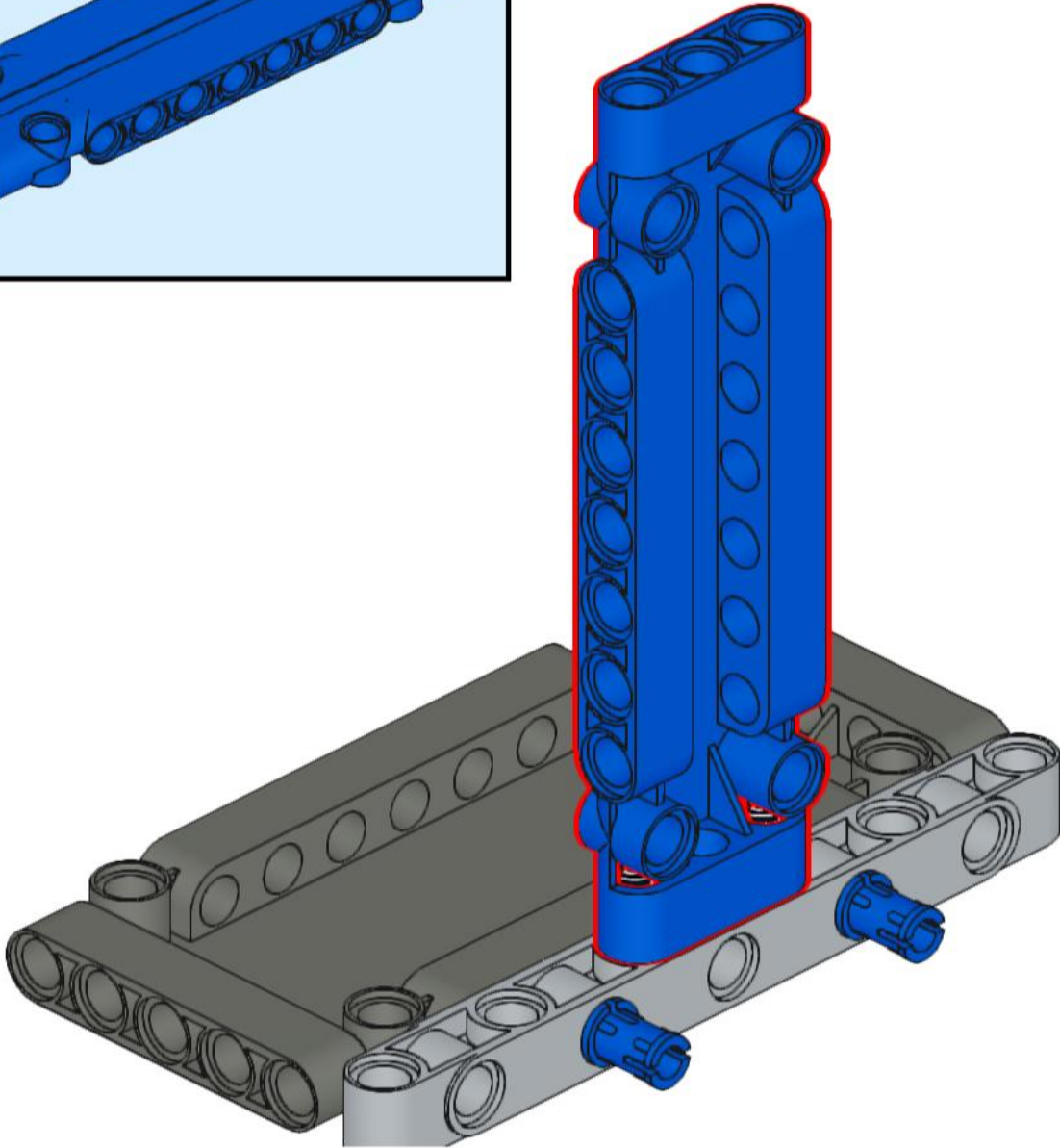
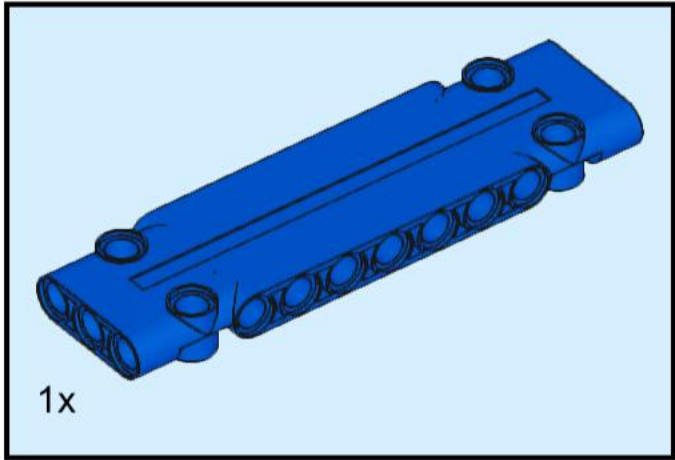
2



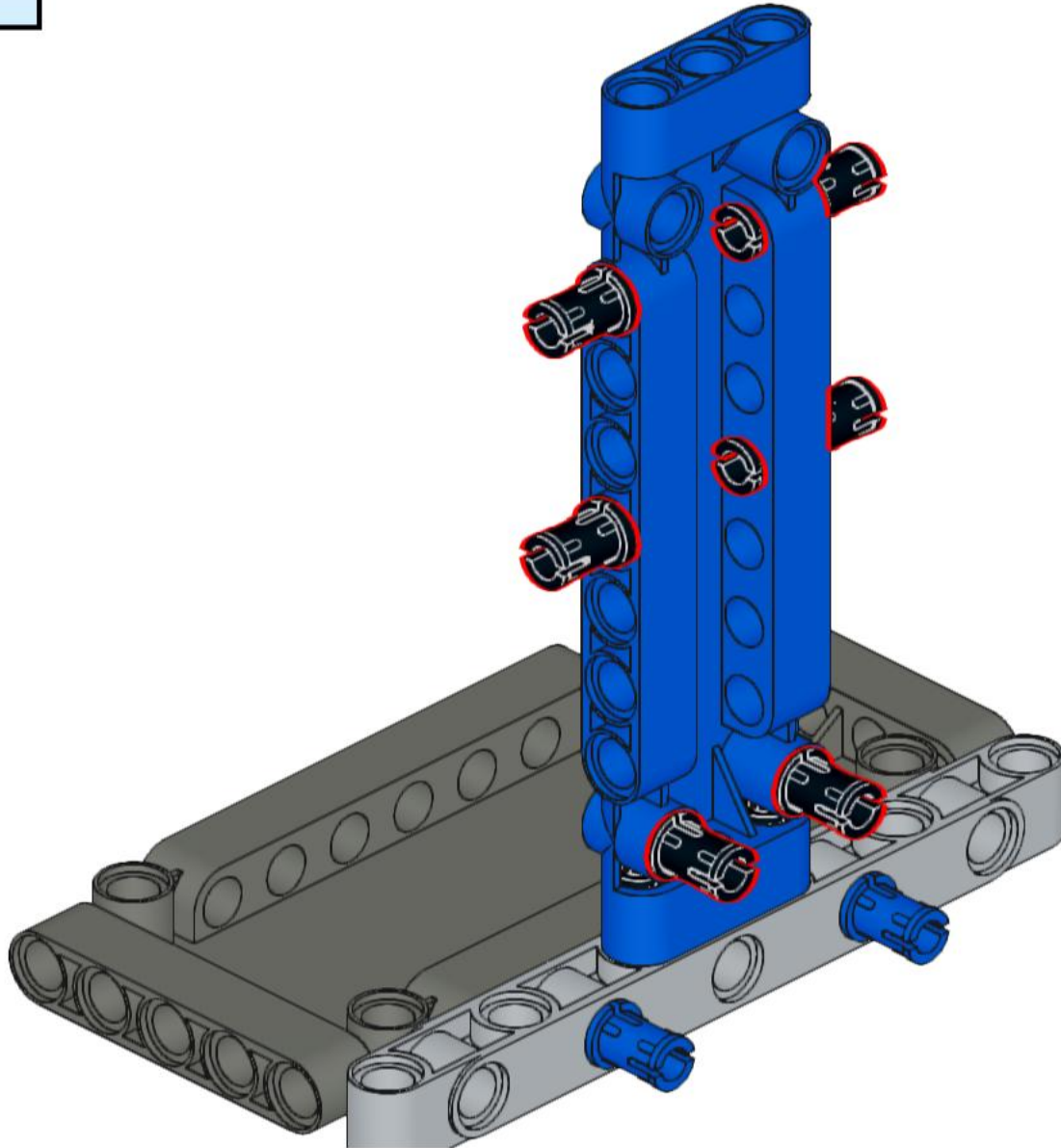
3



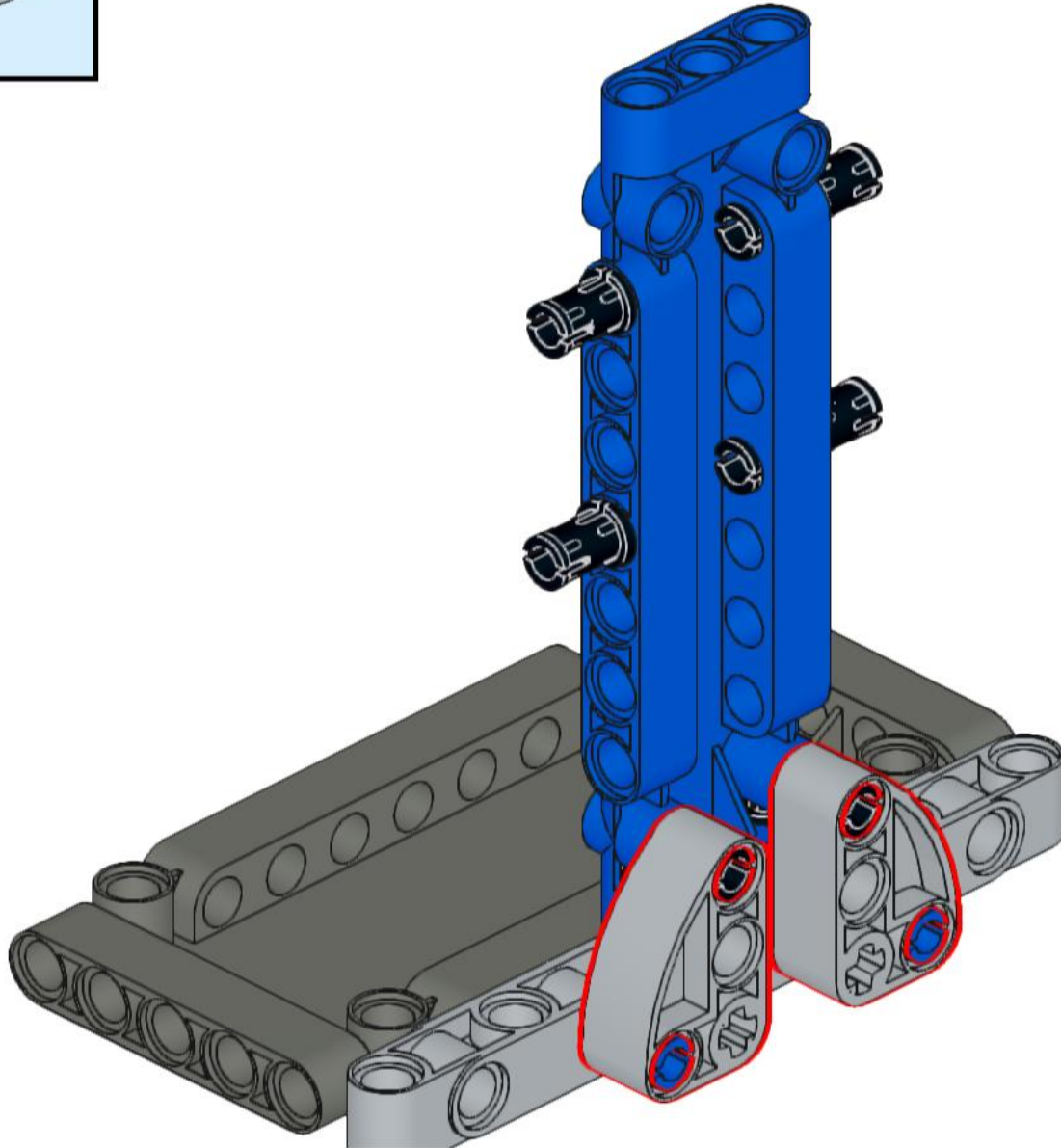
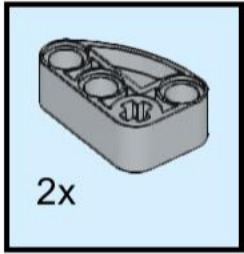
4



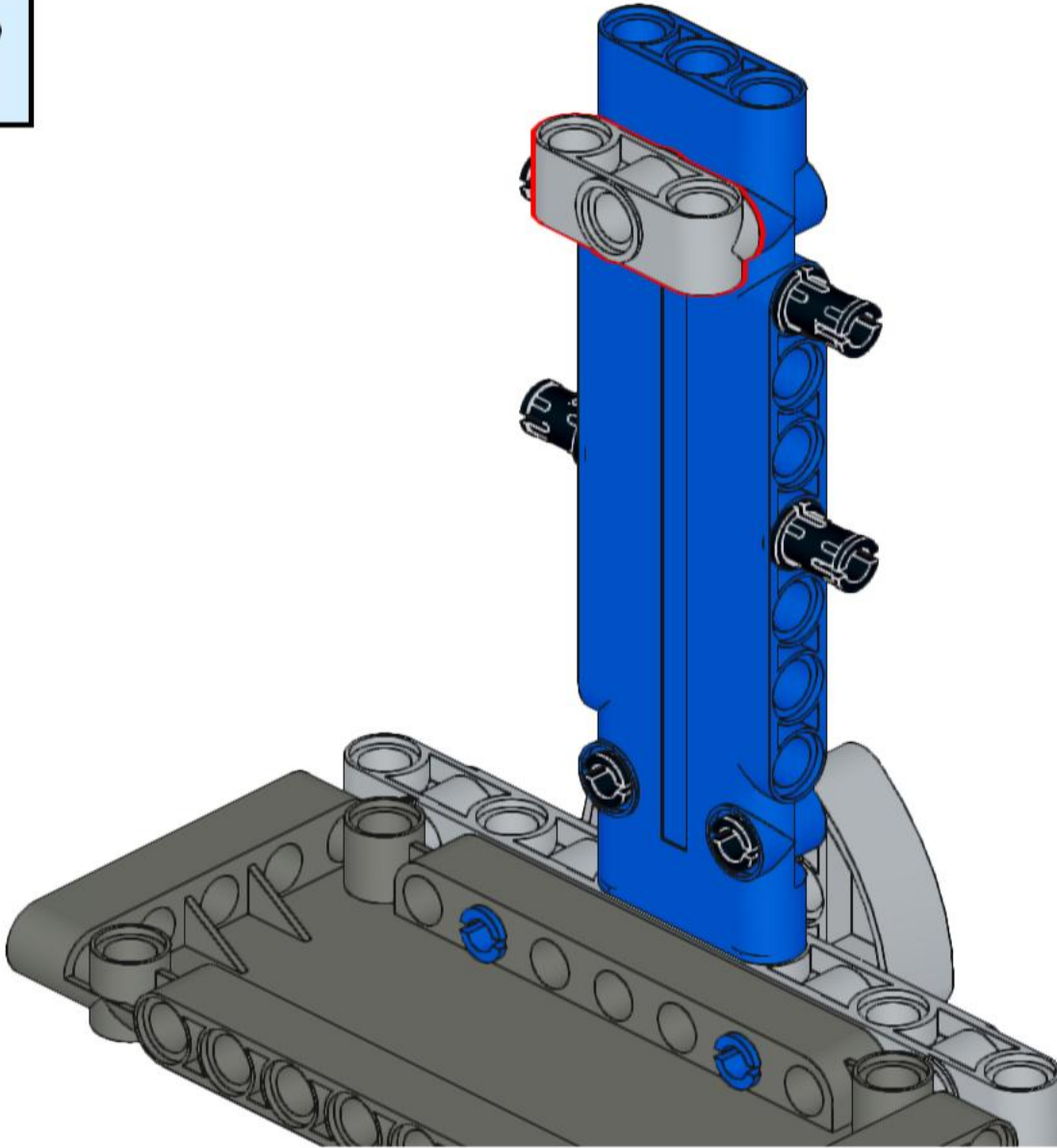
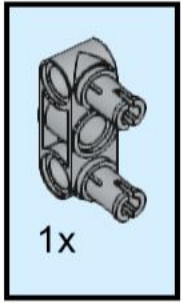
5



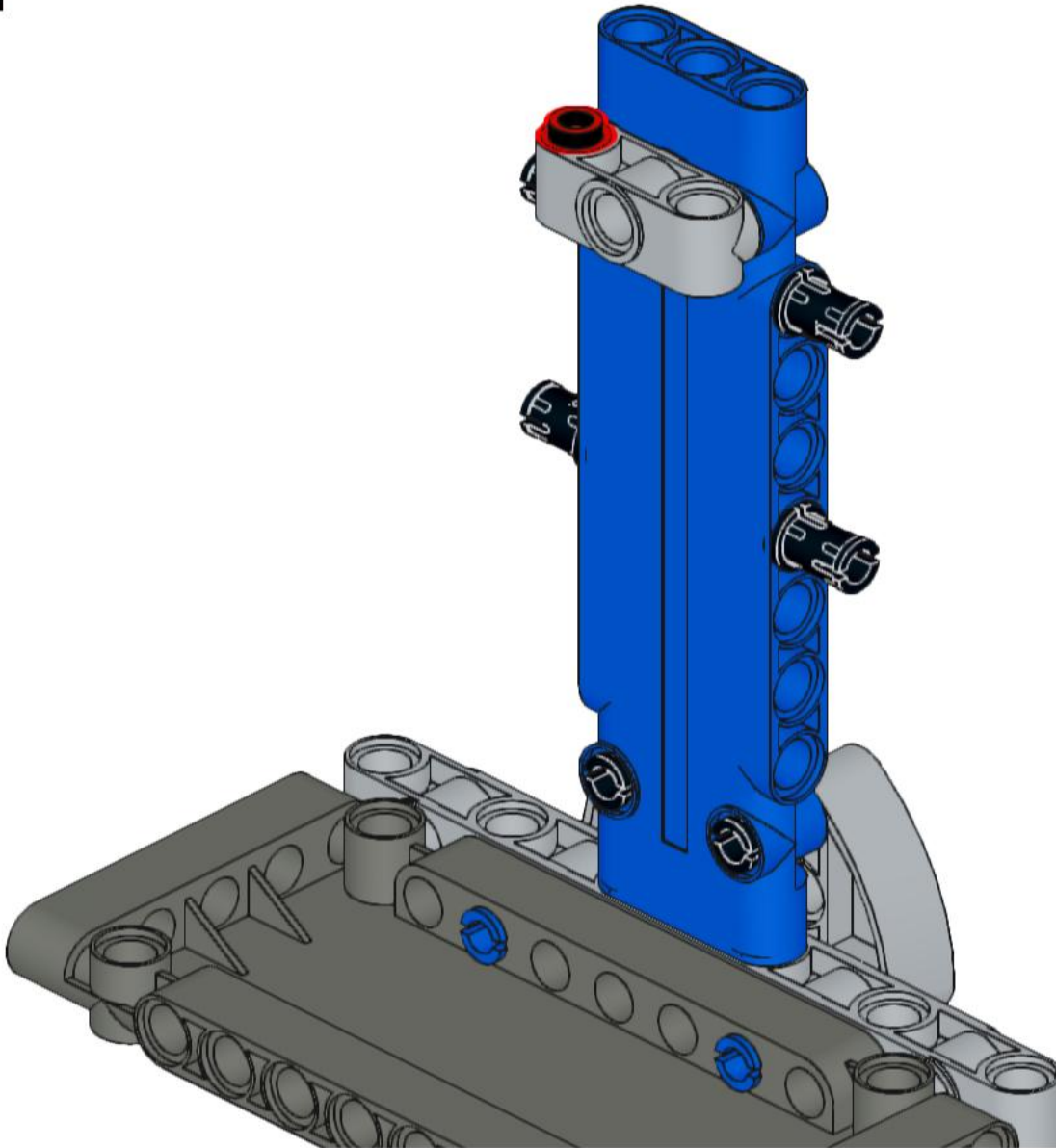
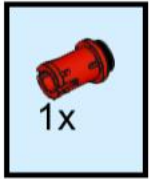
6



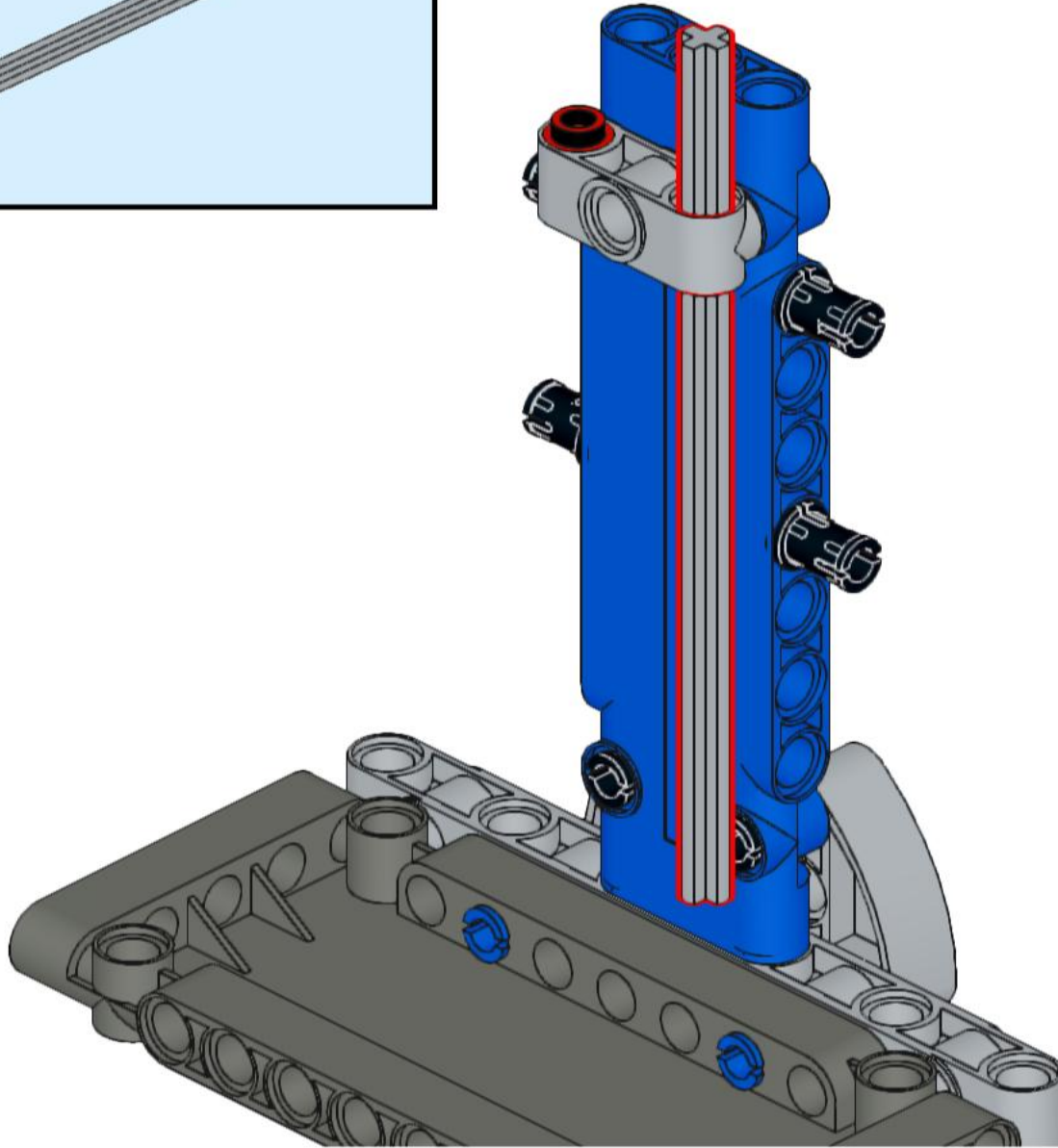
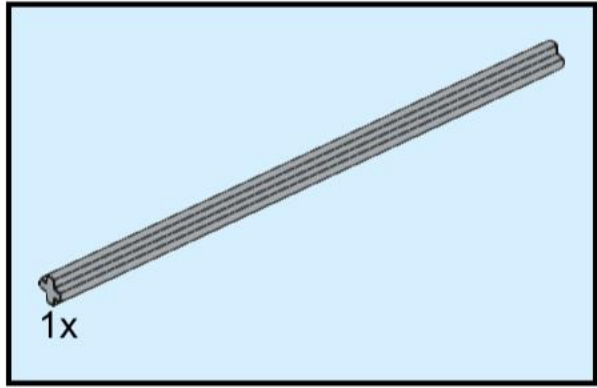
7



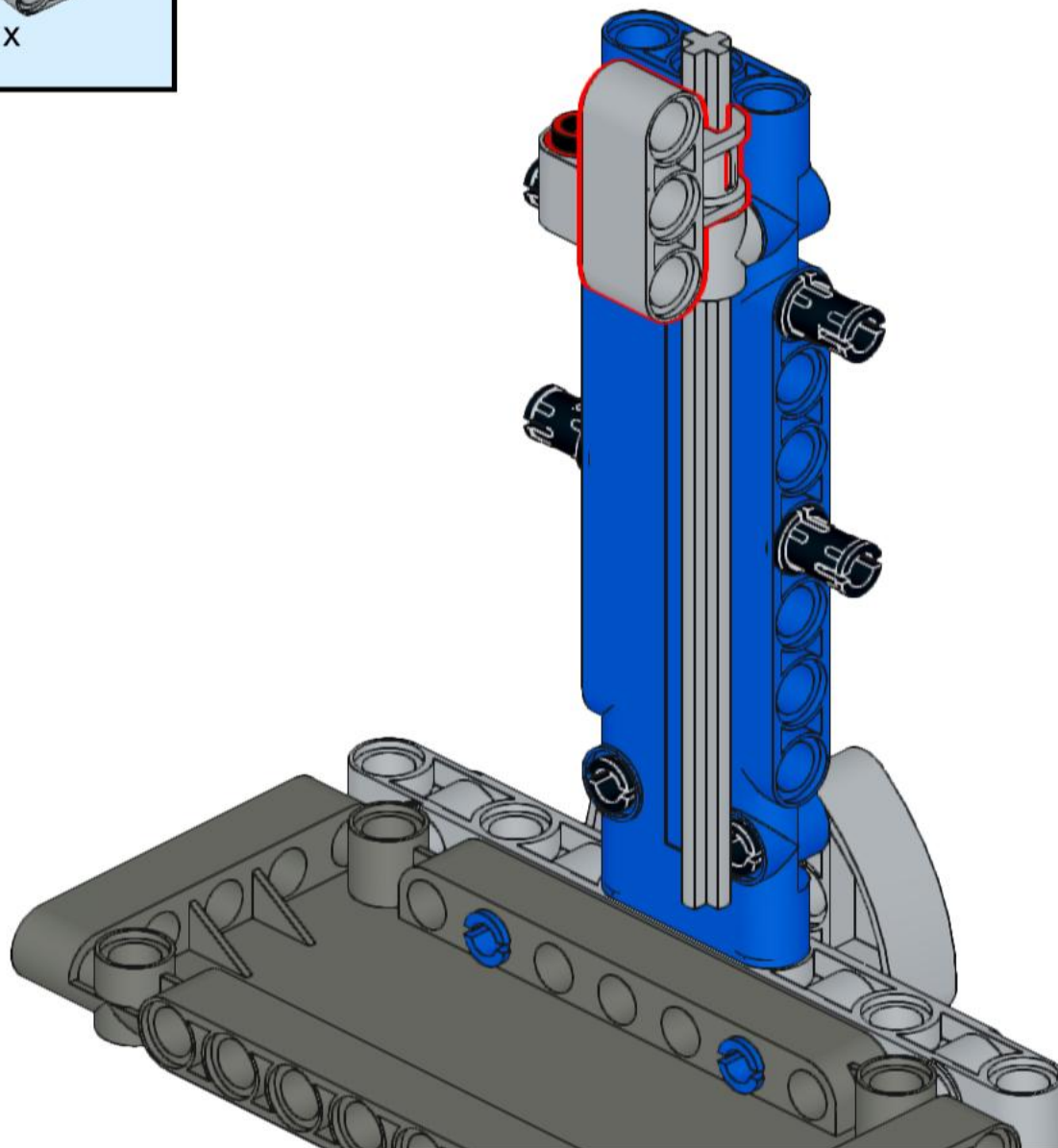
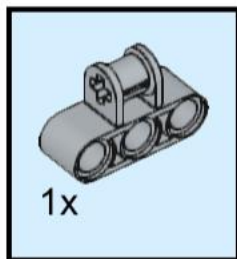
8



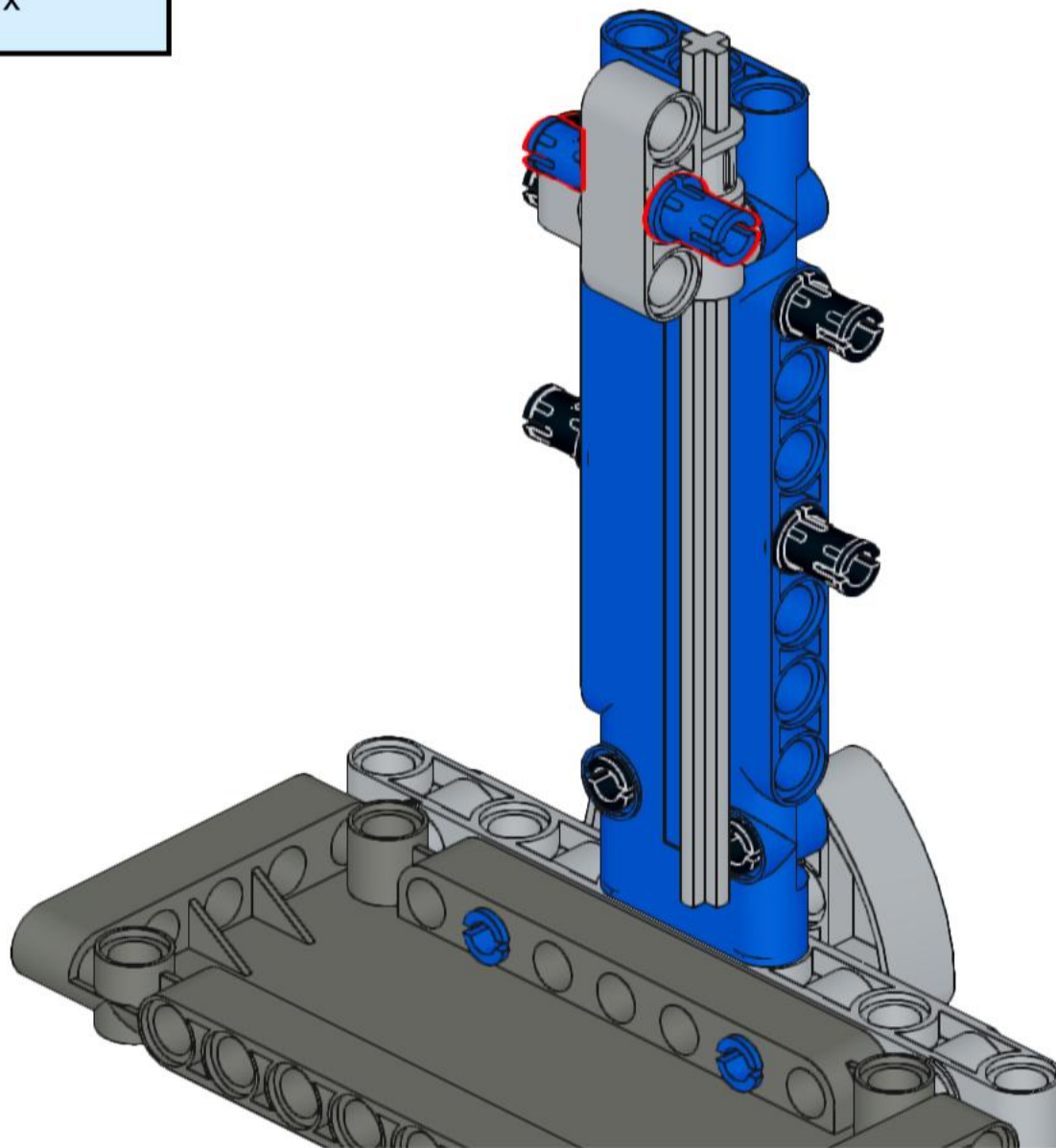
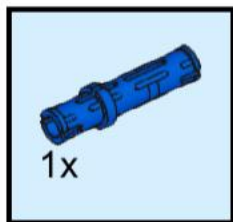
9



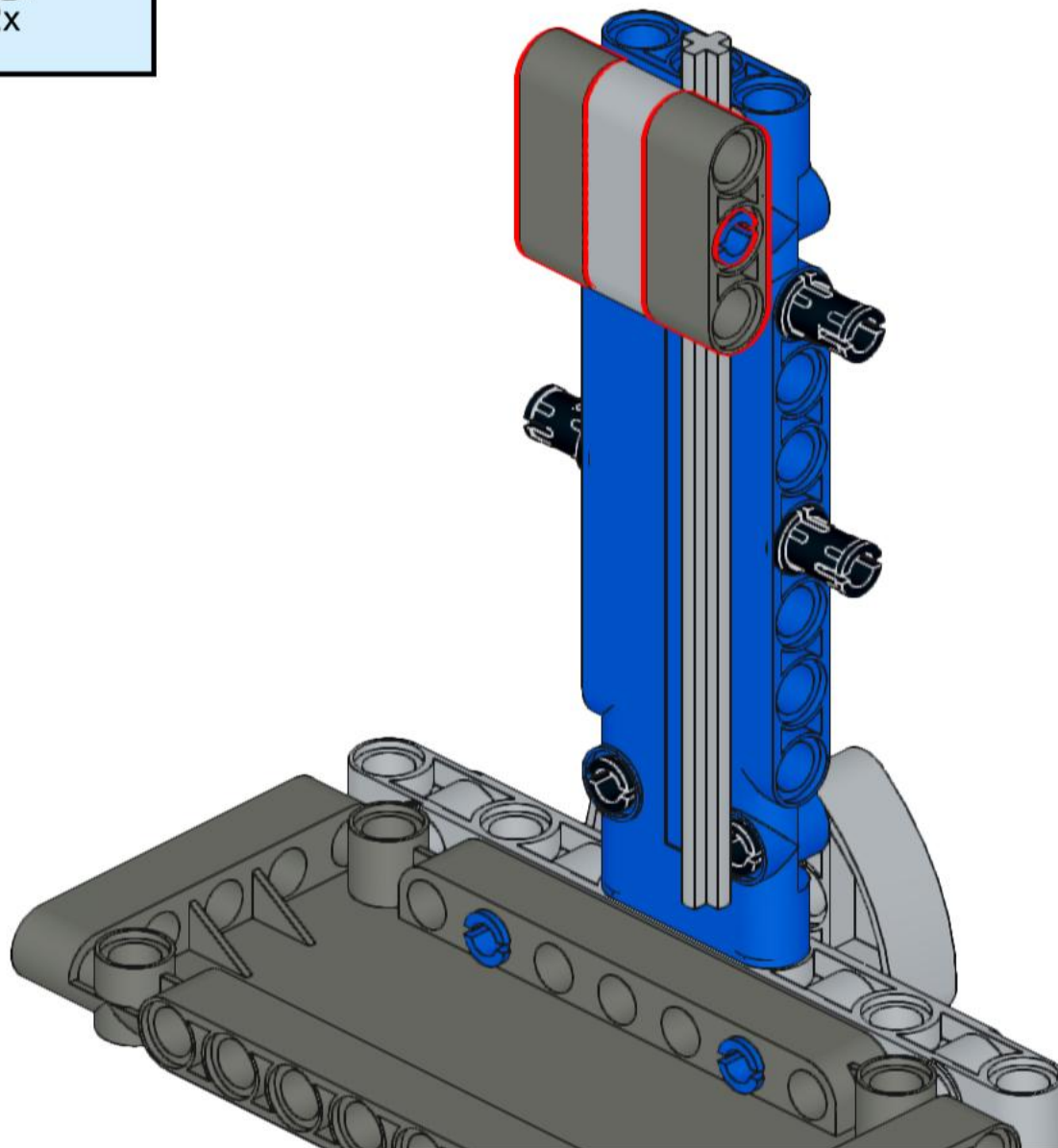
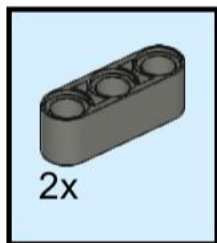
10



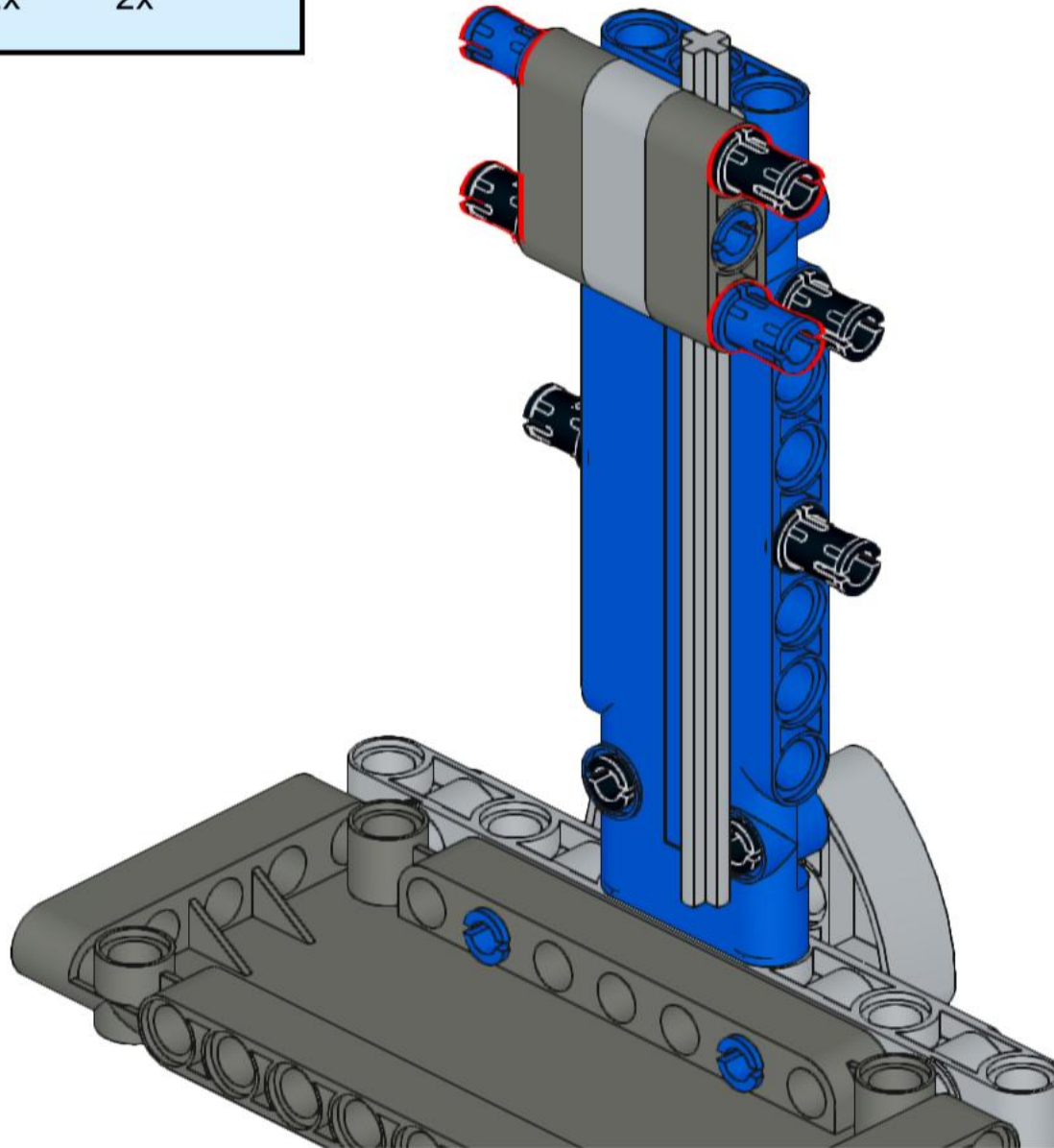
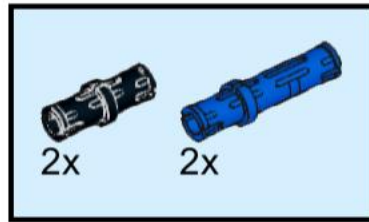
11



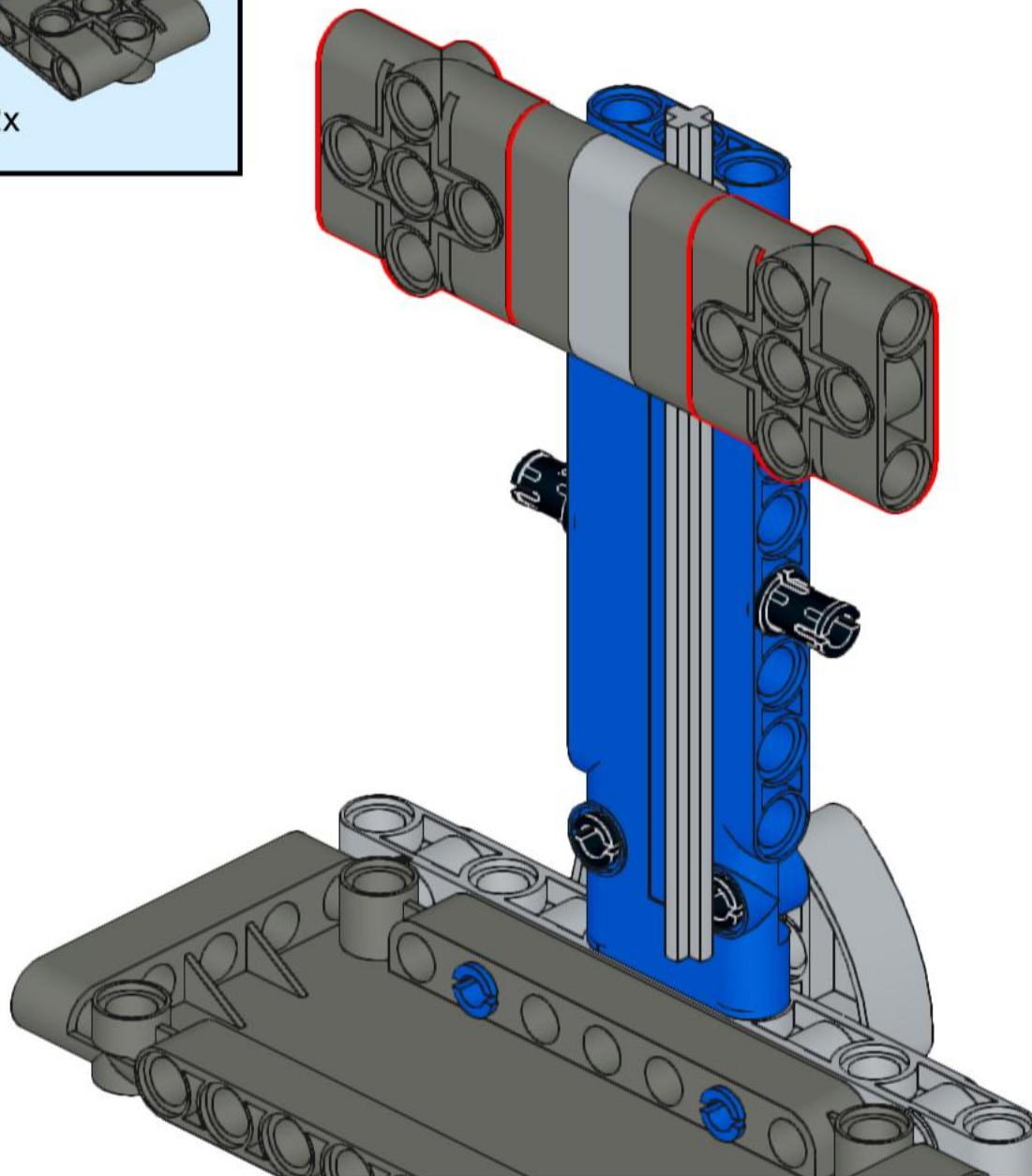
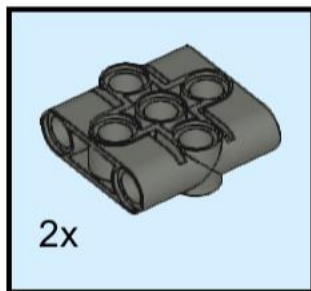
12



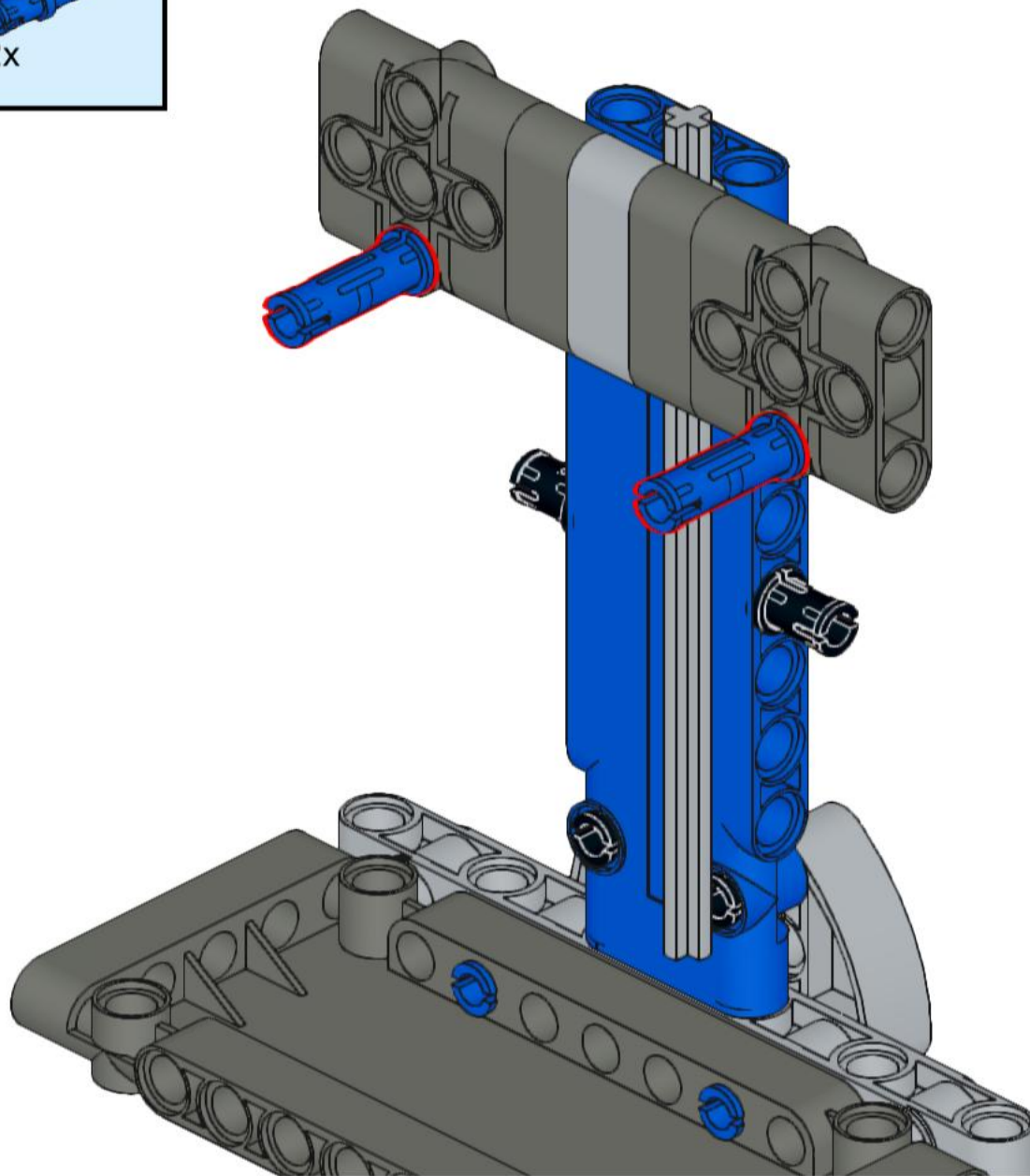
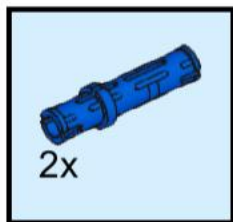
13



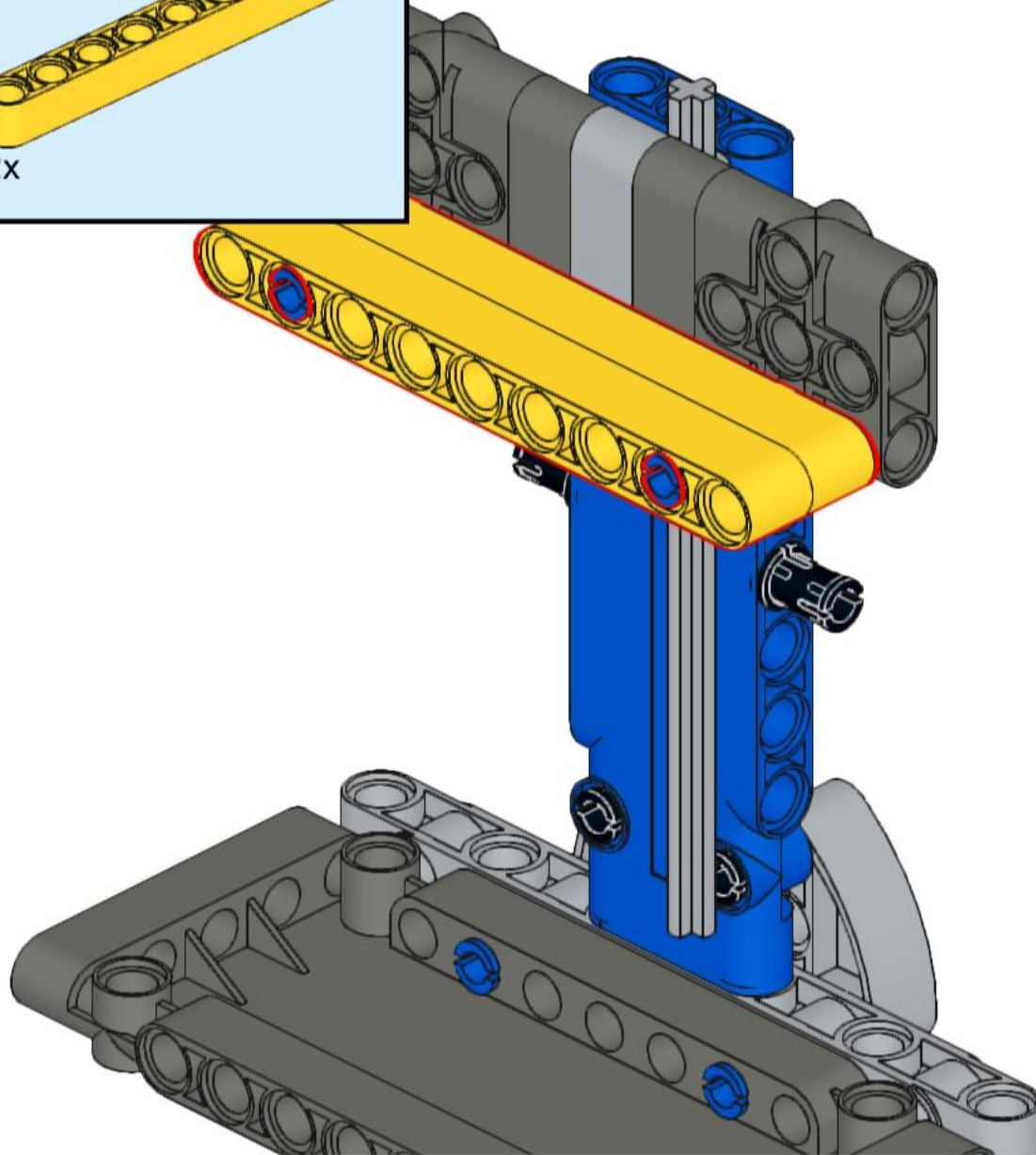
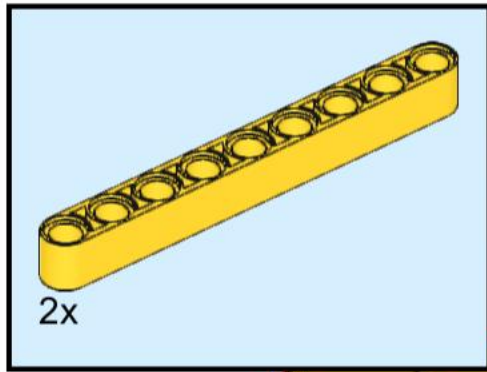
14



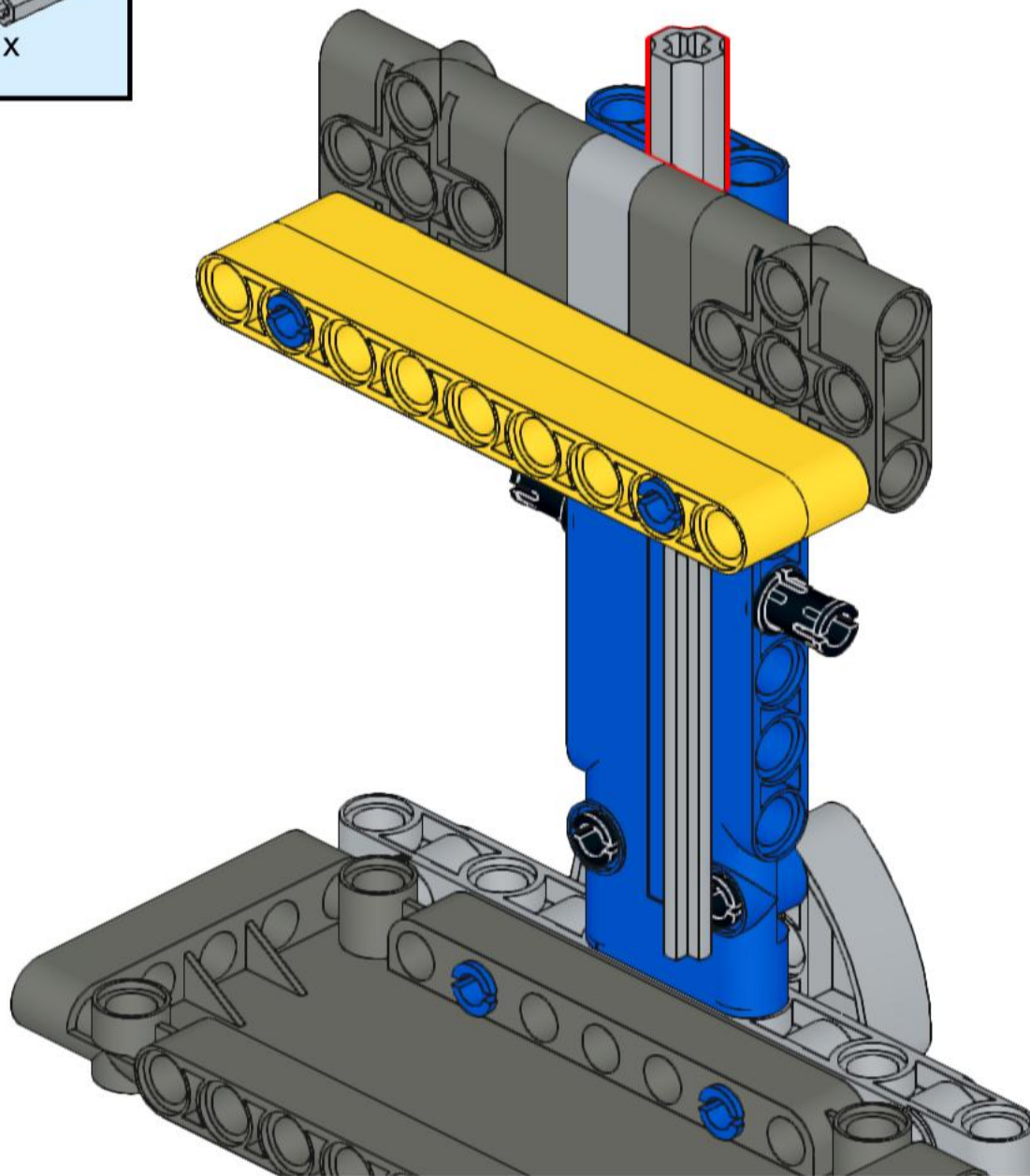
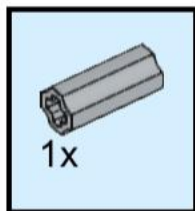
15



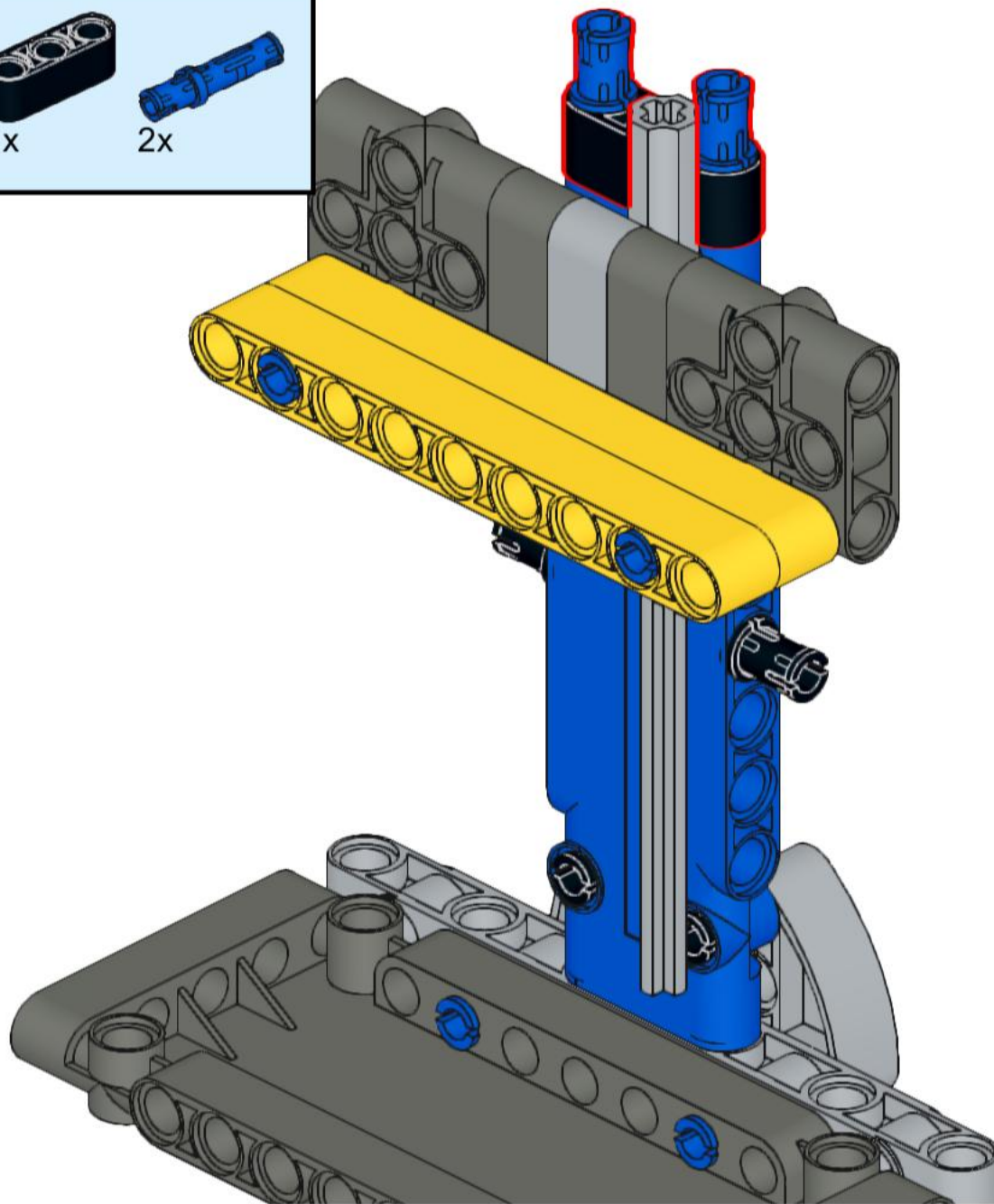
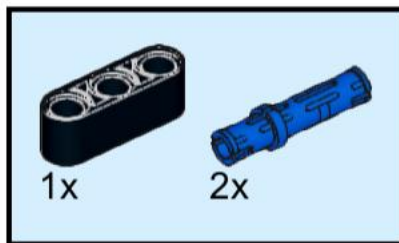
16



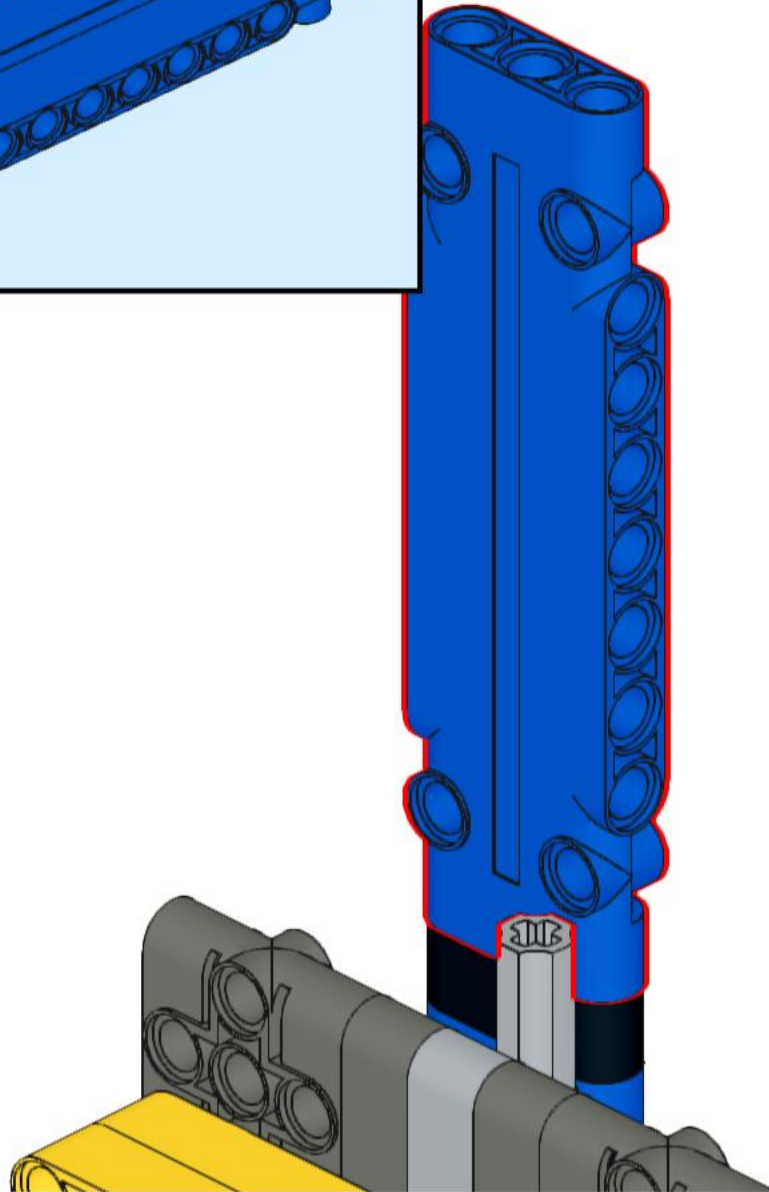
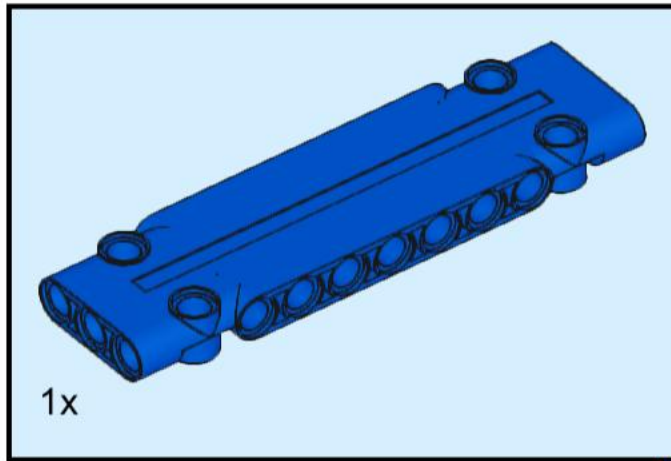
17



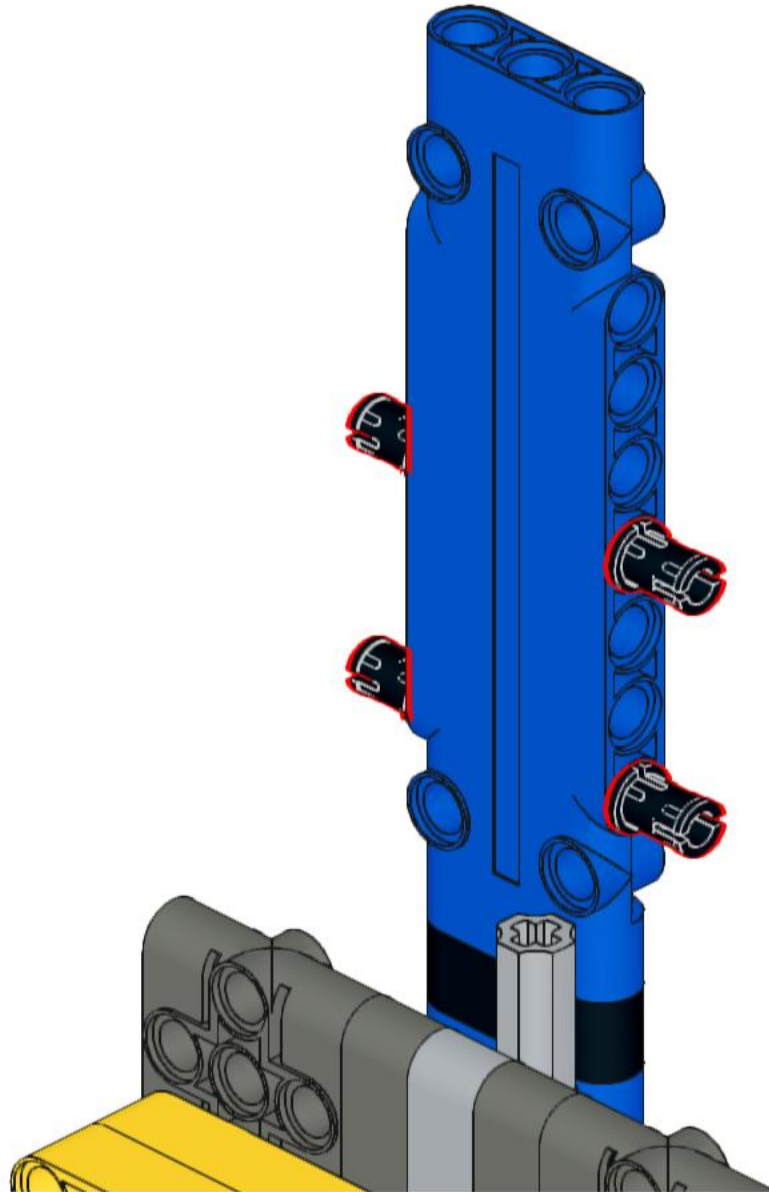
18



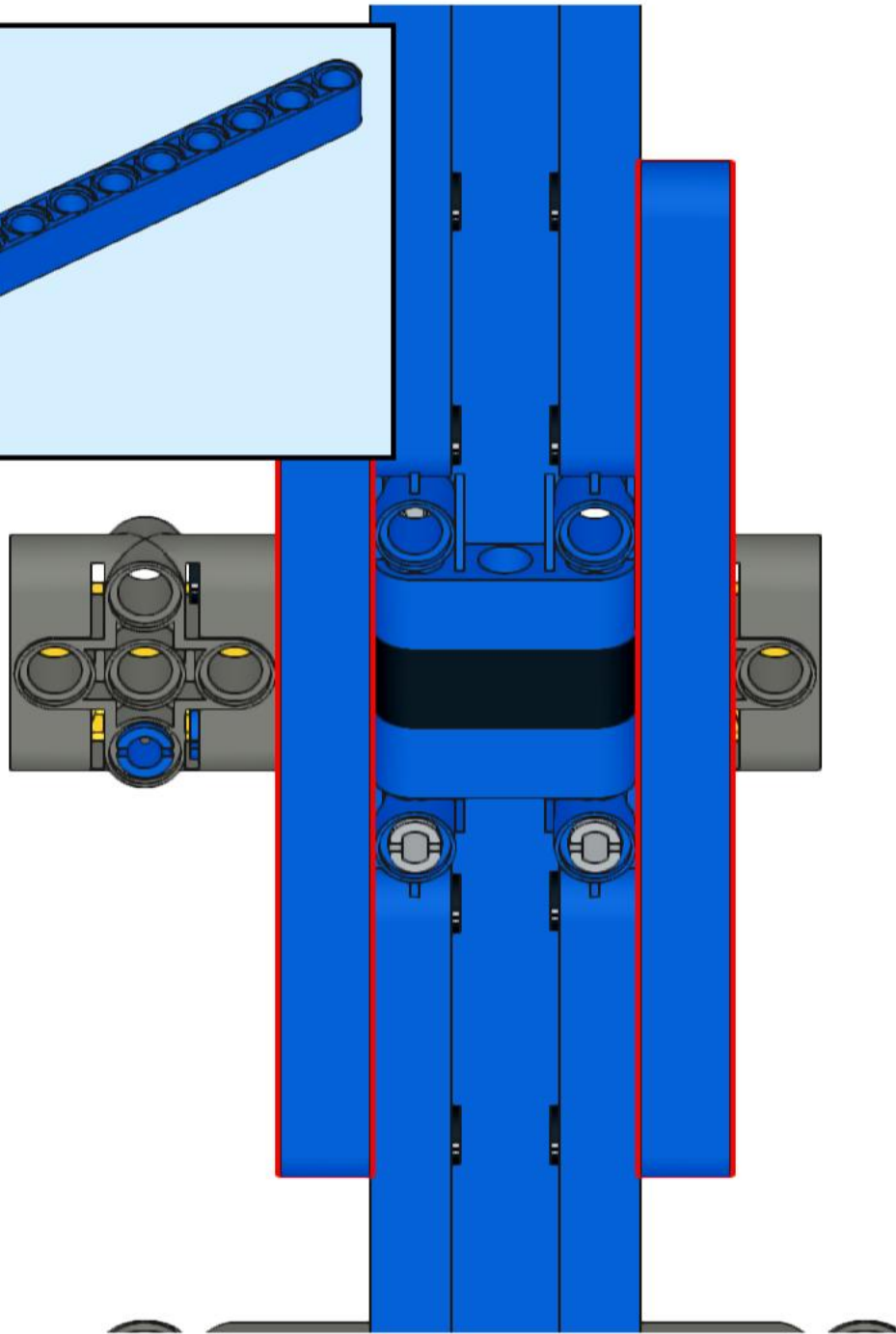
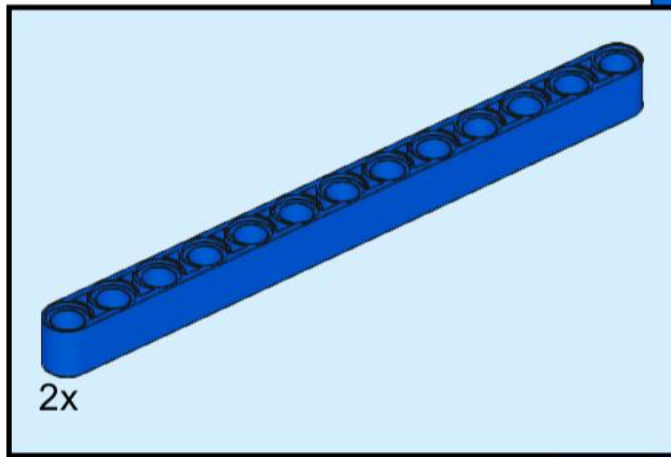
19



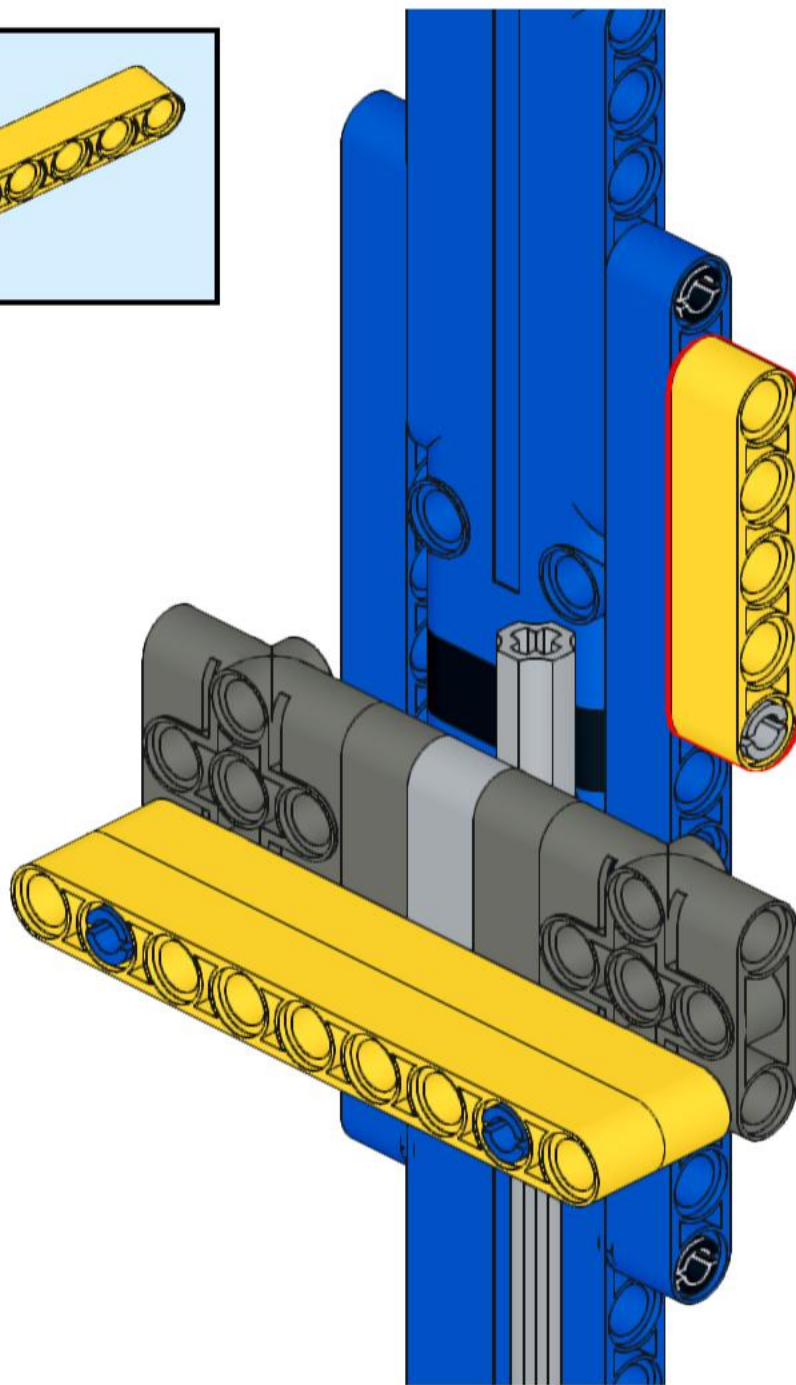
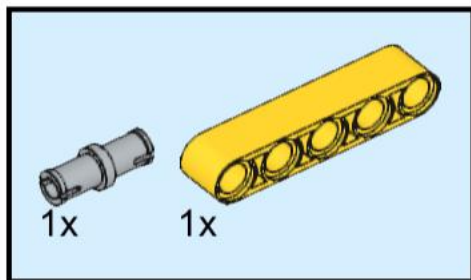
20



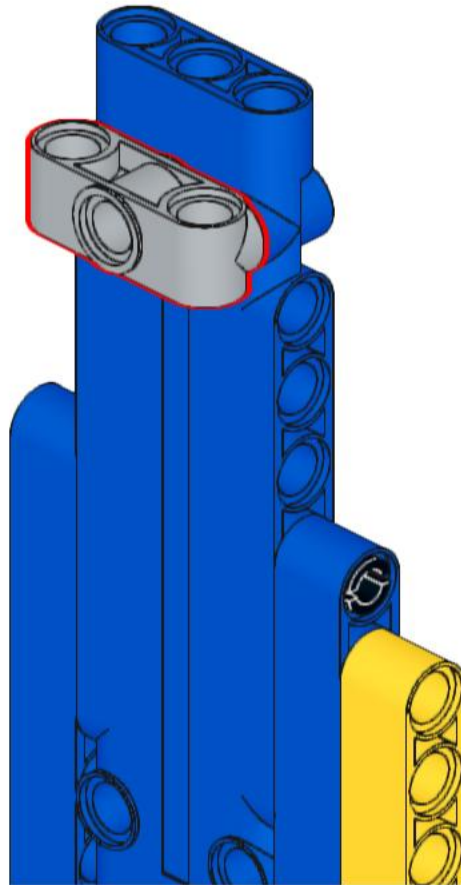
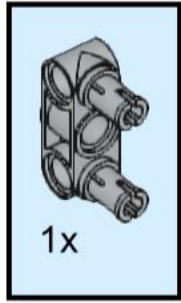
21



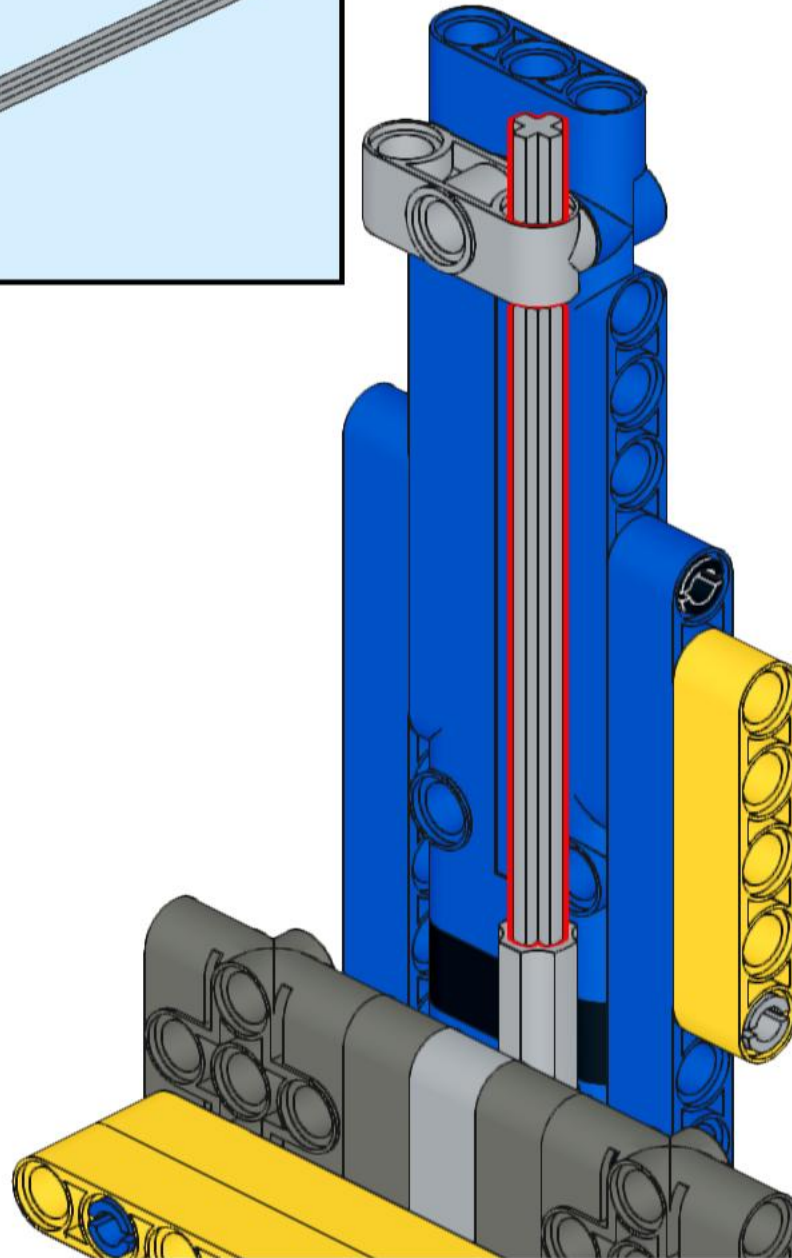
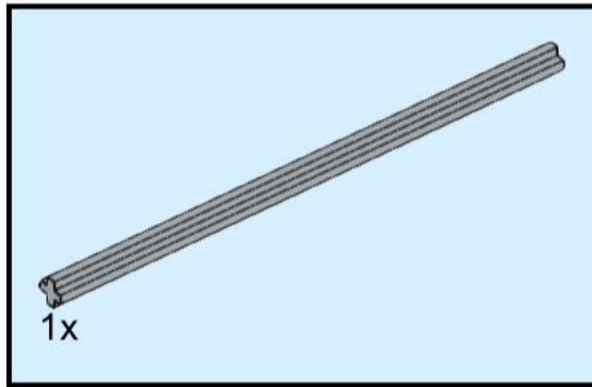
22



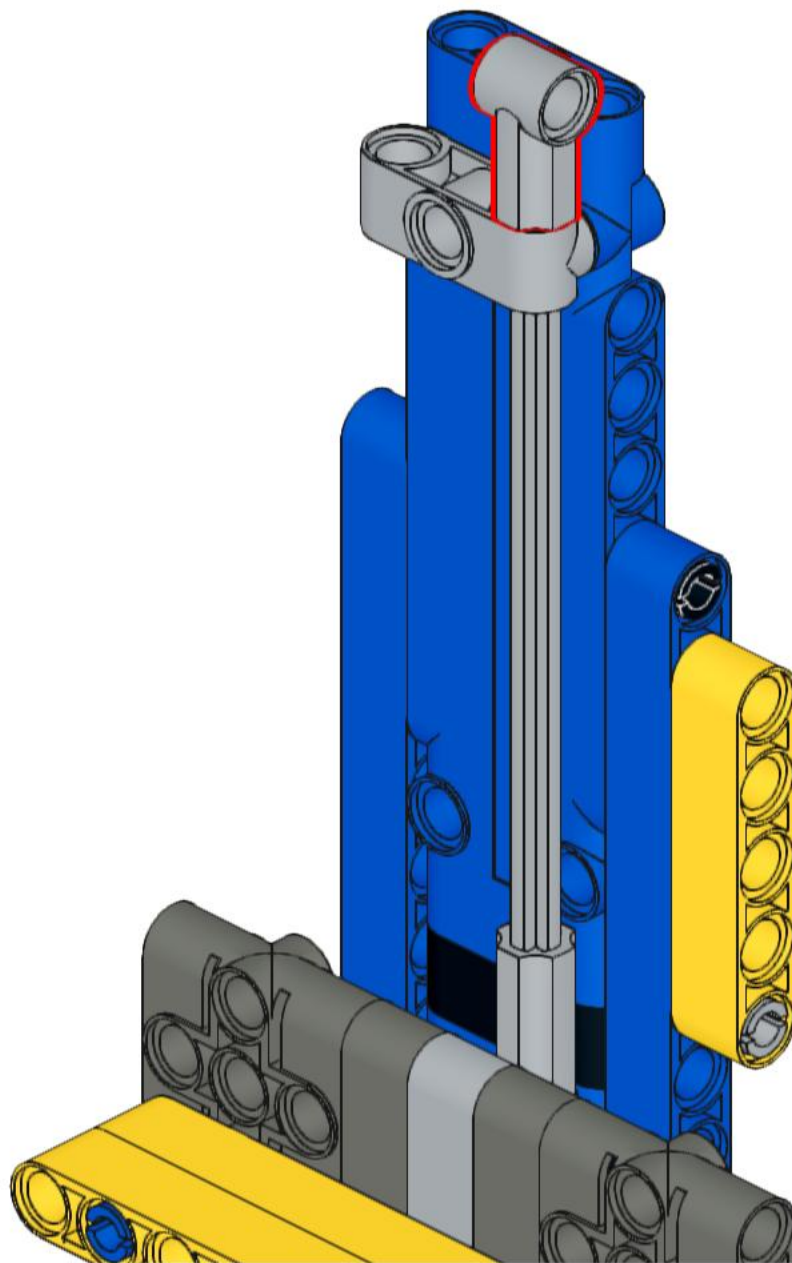
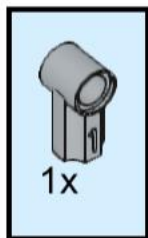
23



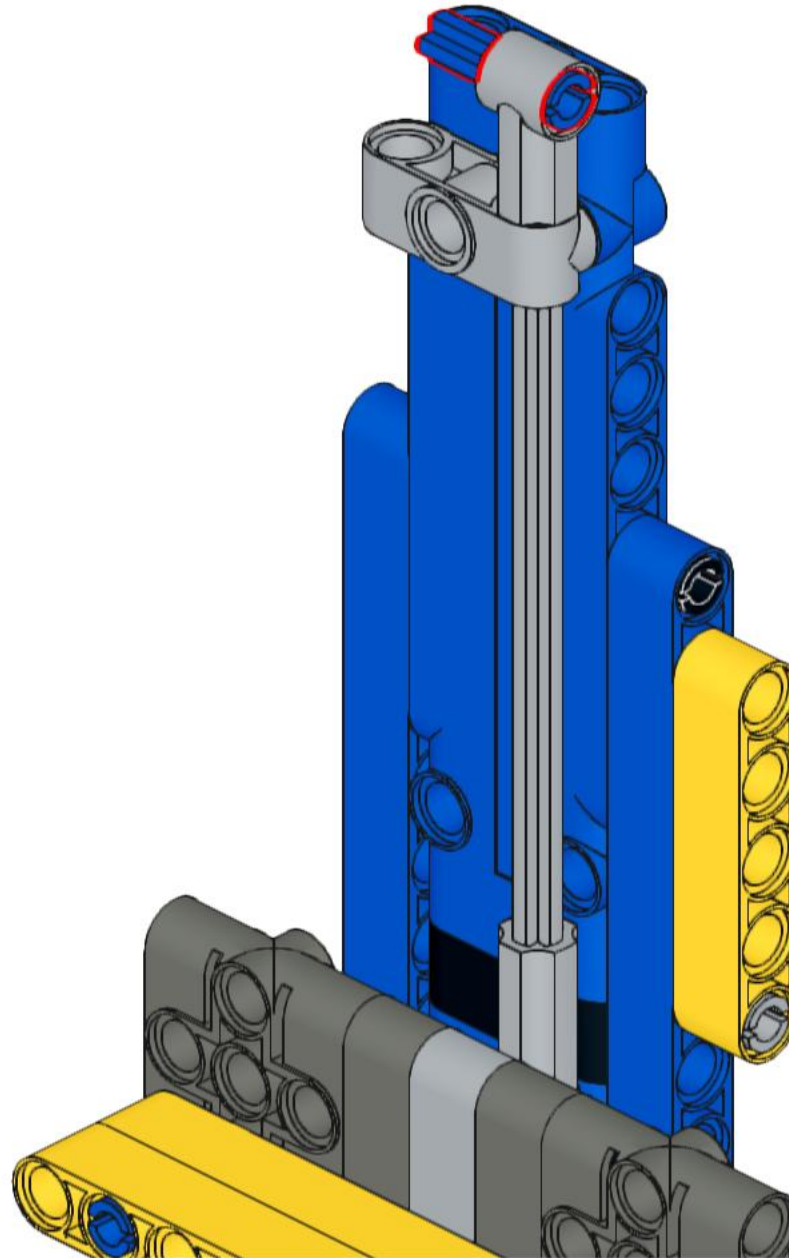
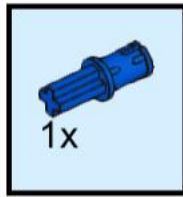
24



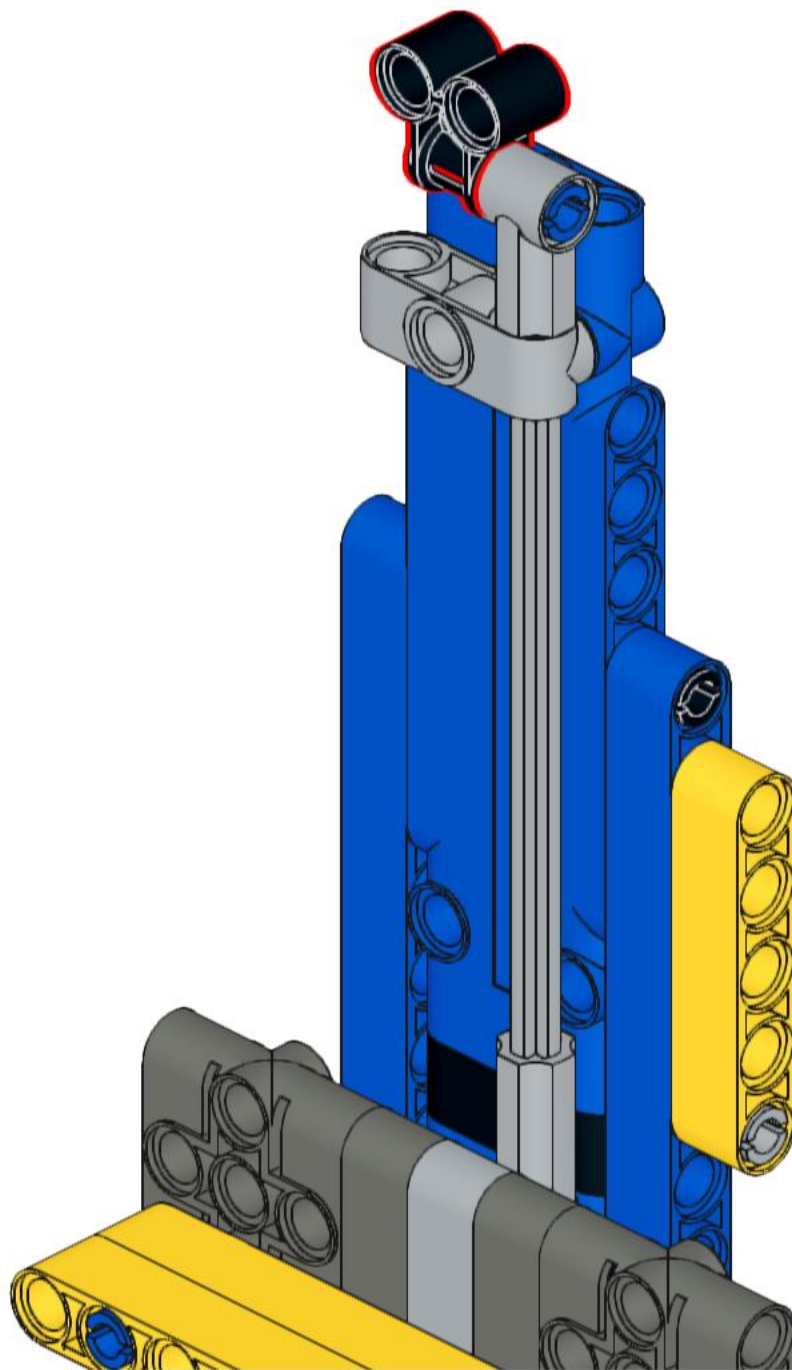
25



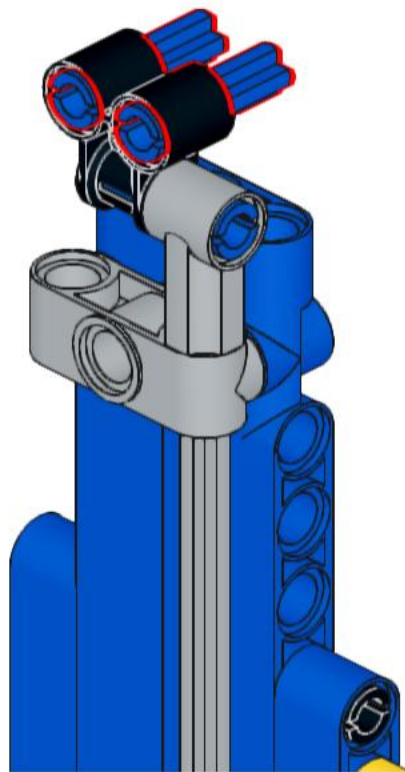
26



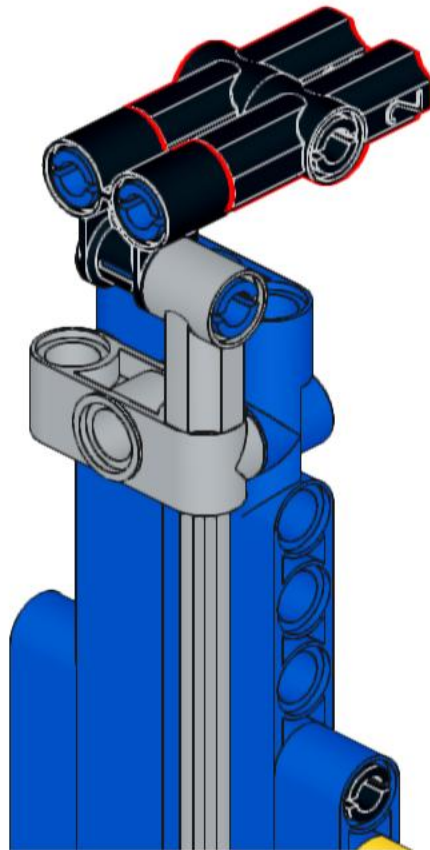
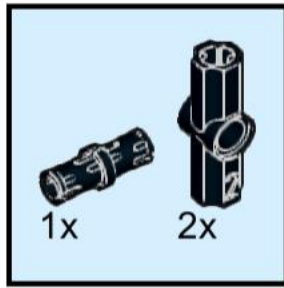
27



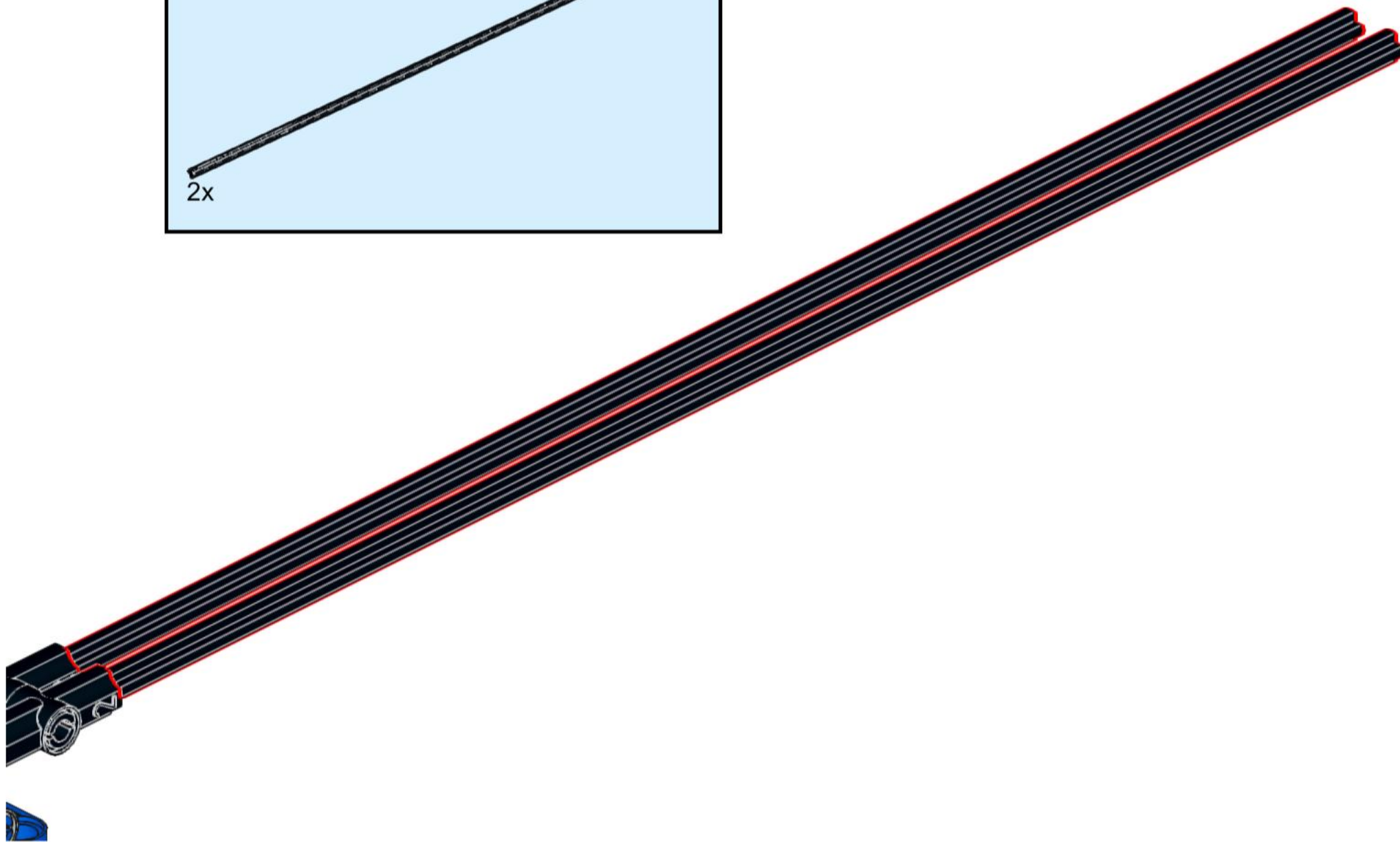
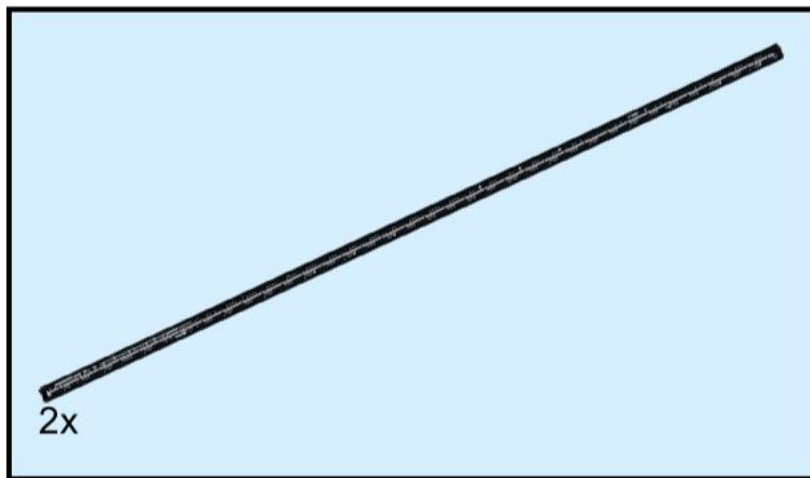
28



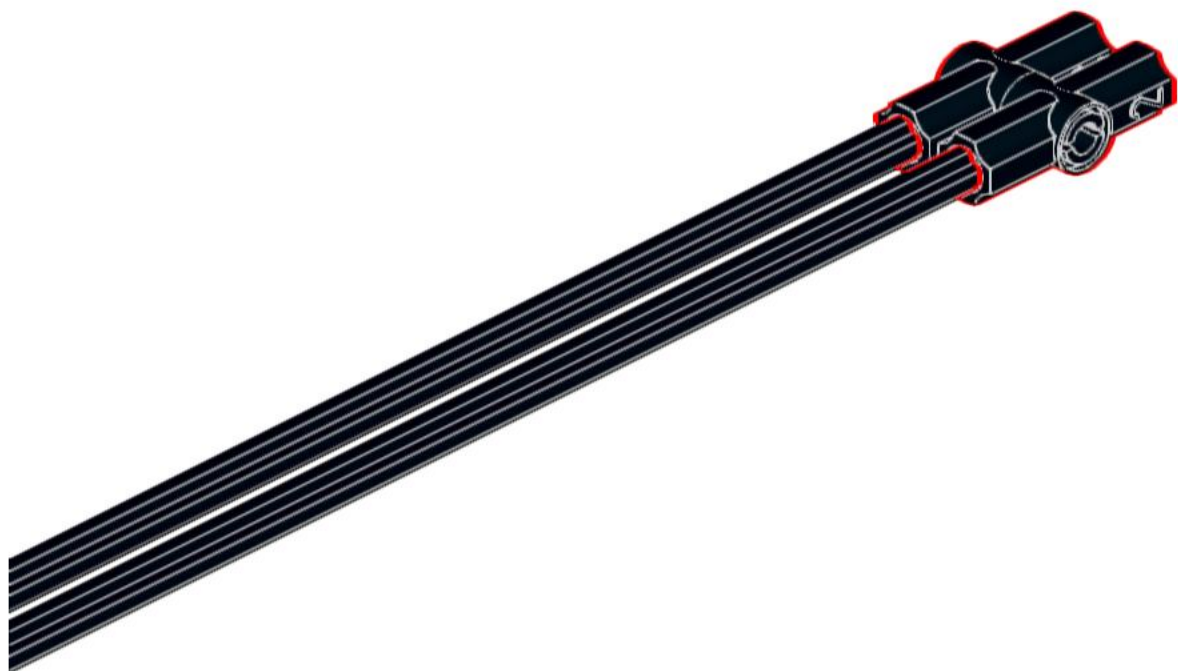
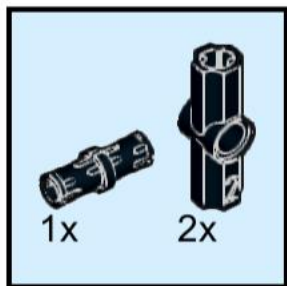
29



30



31



32



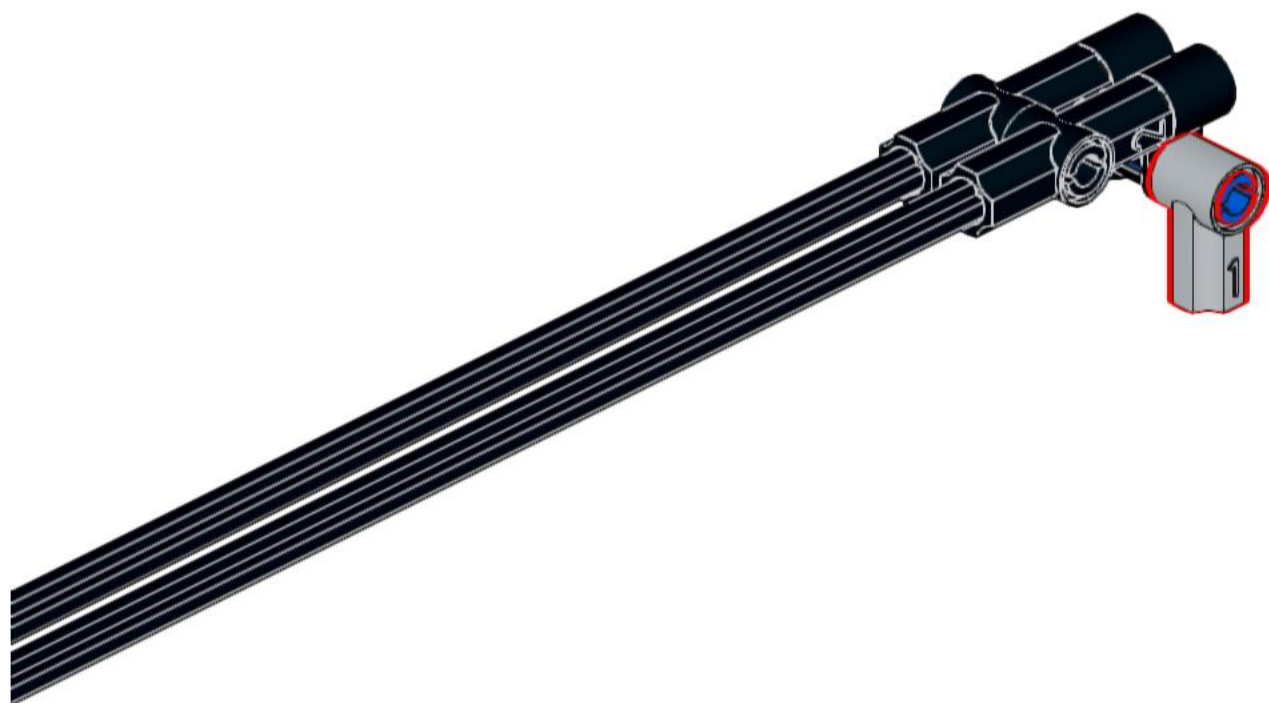
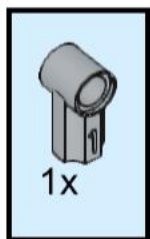
33



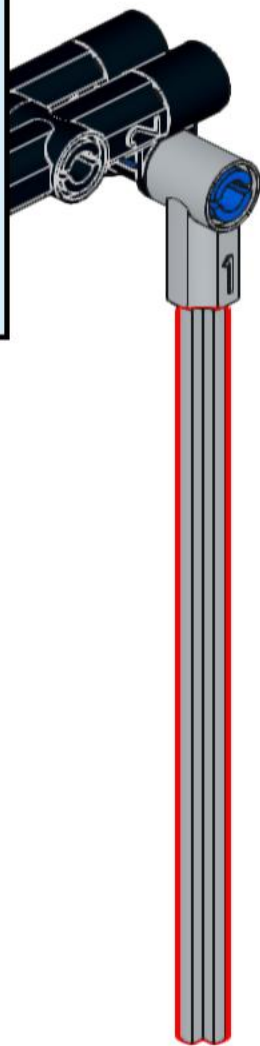
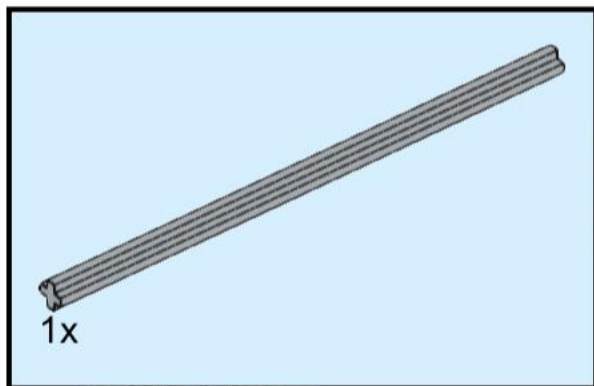
34



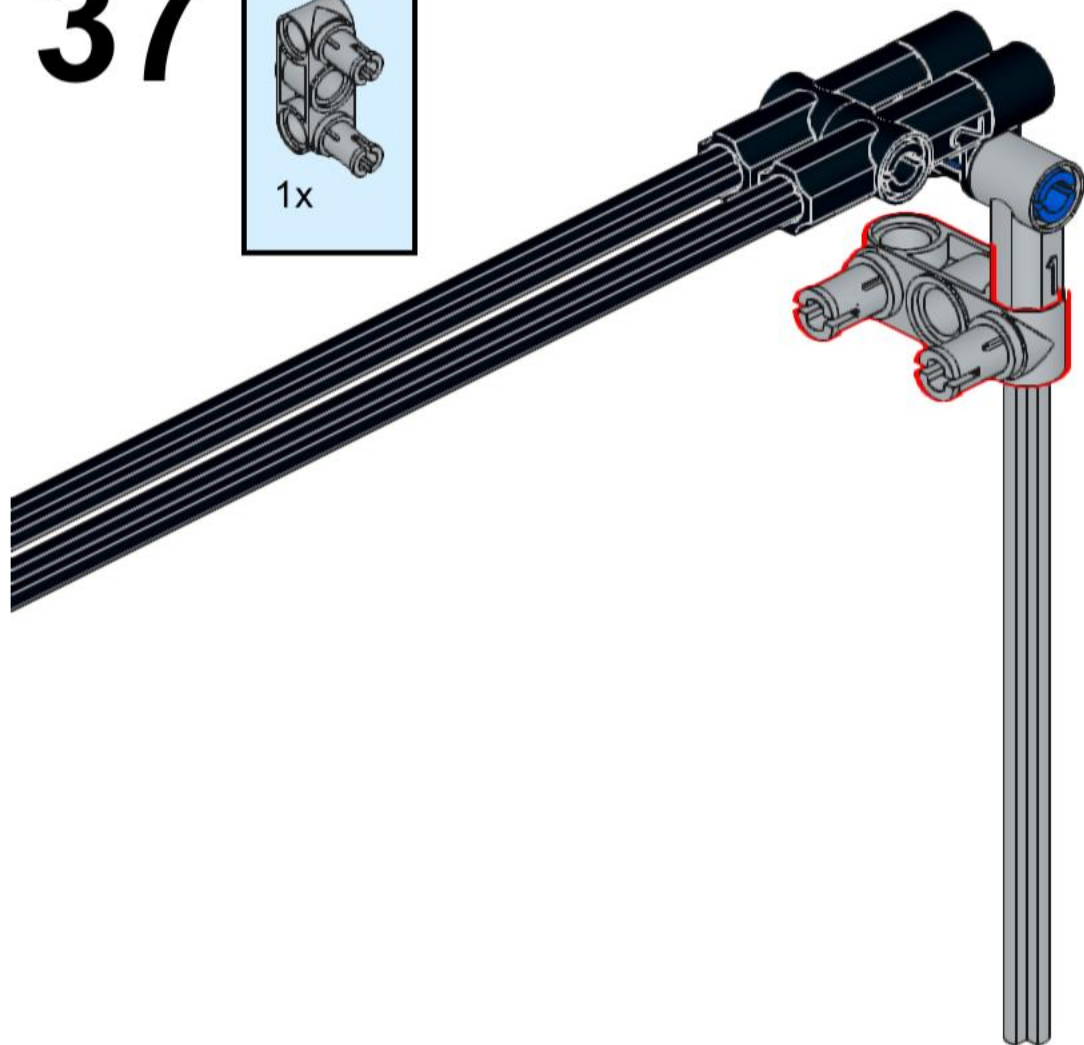
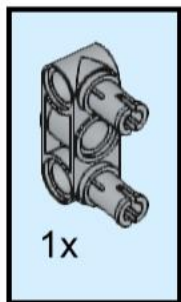
35



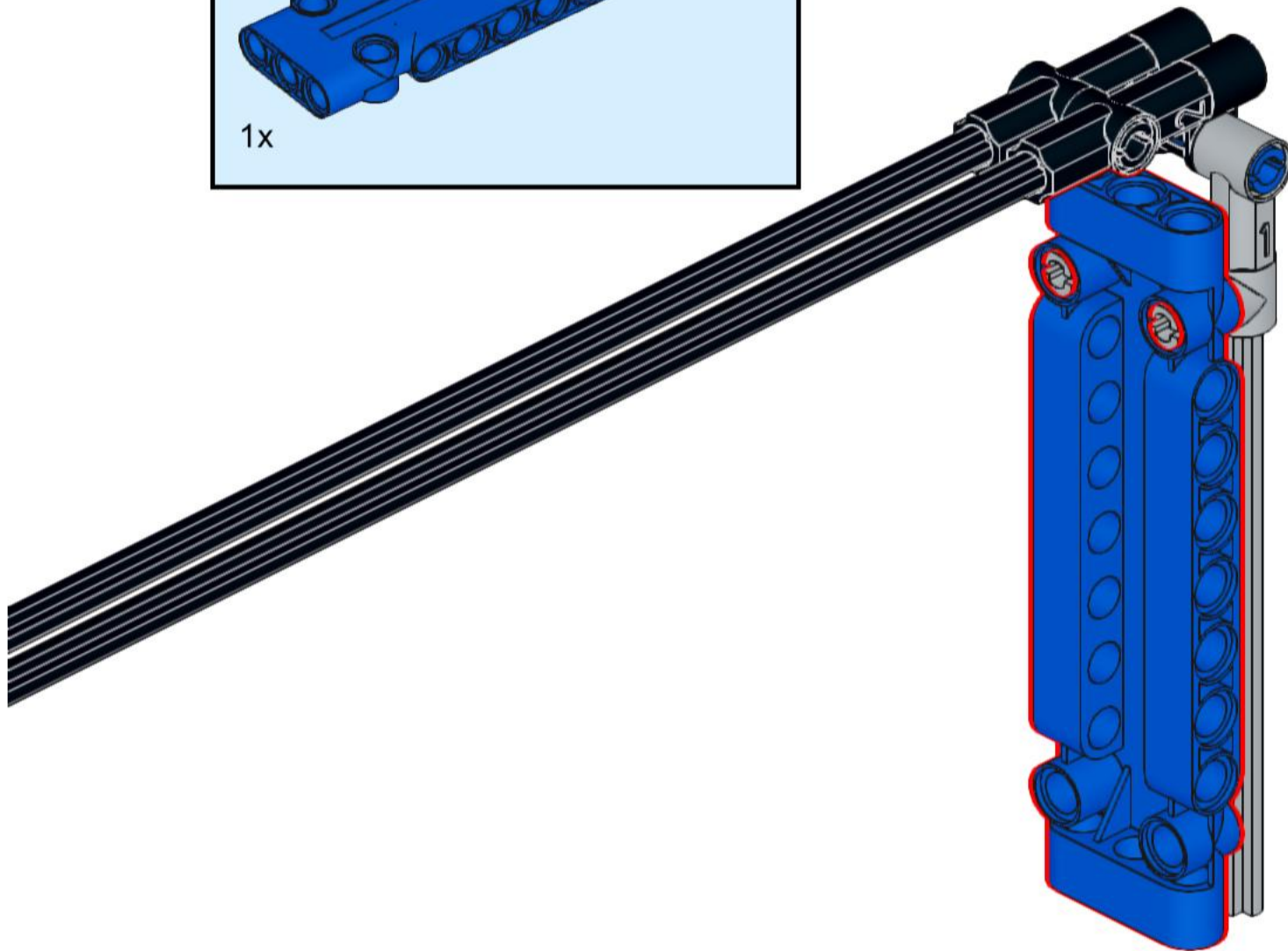
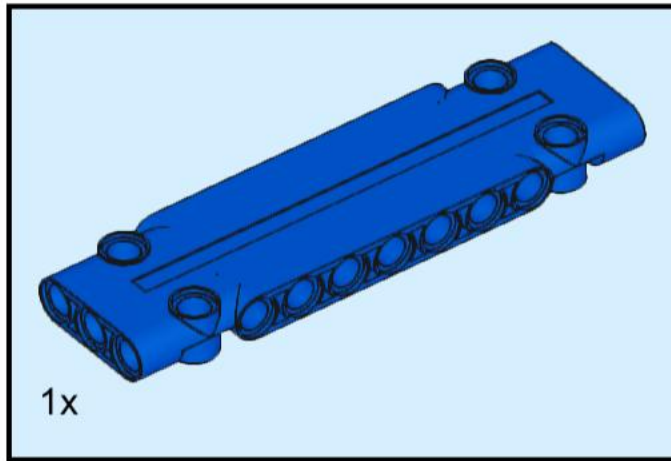
36



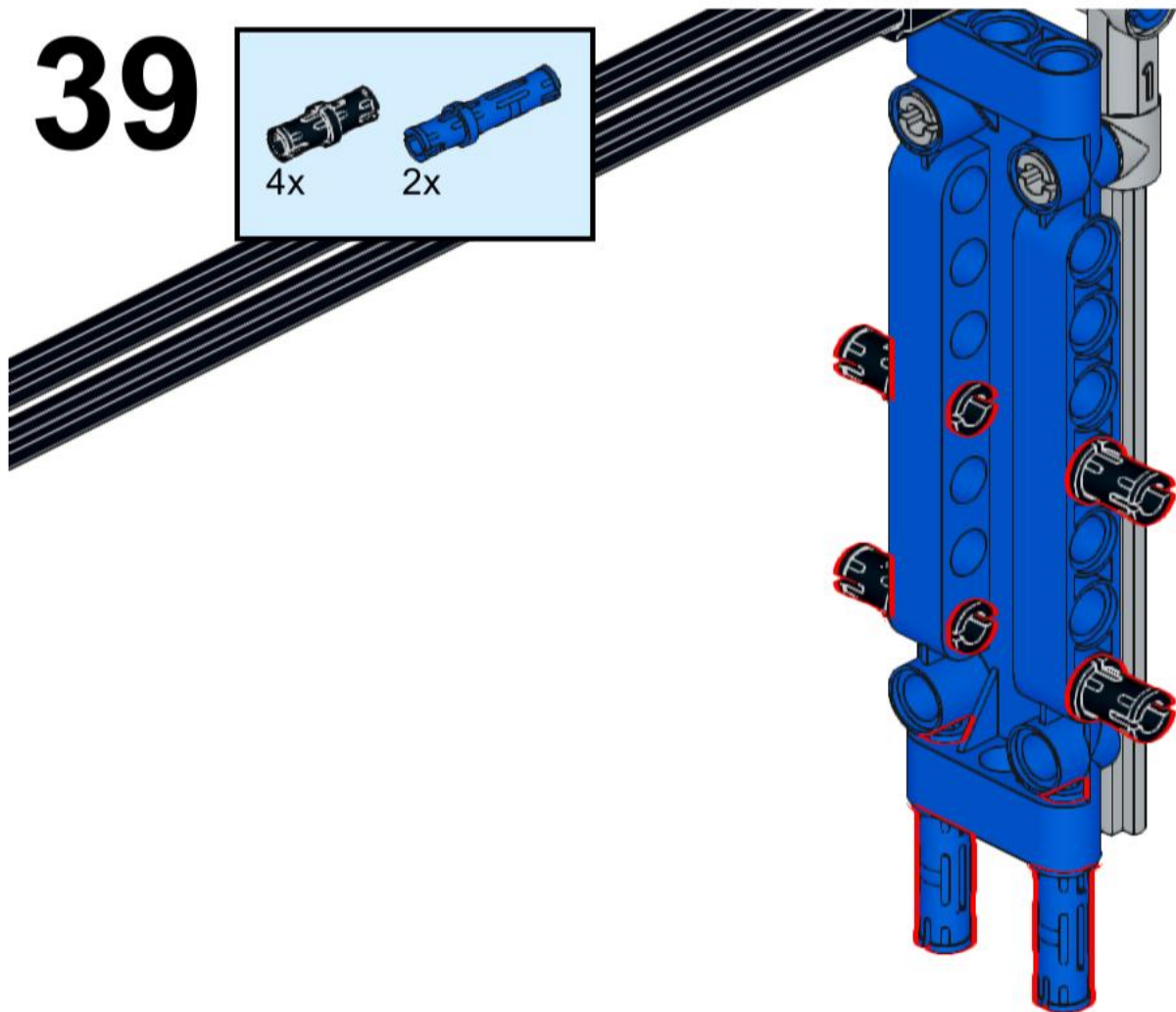
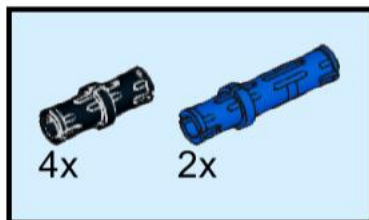
37



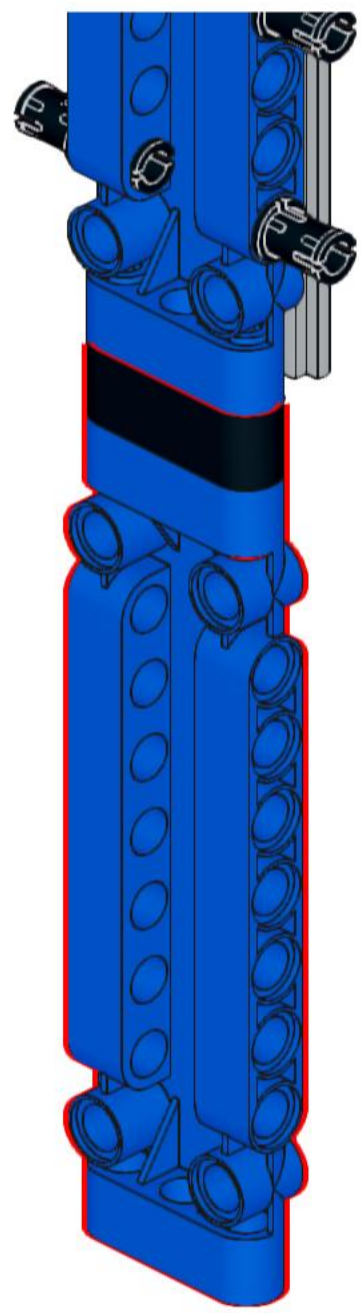
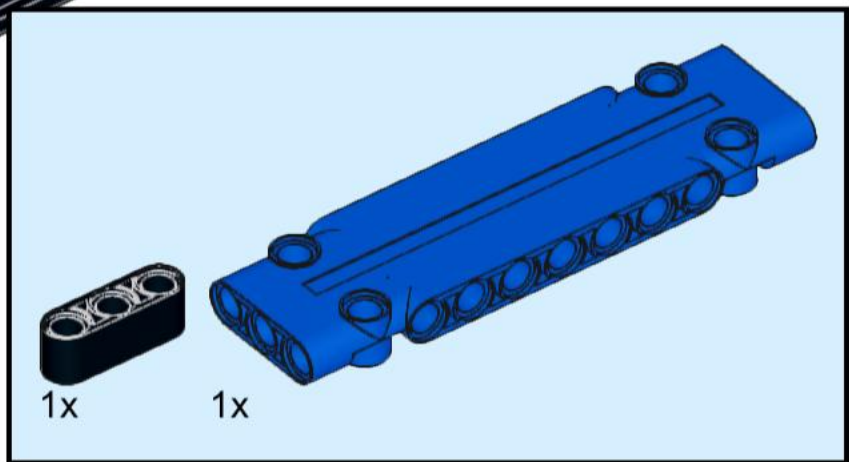
38



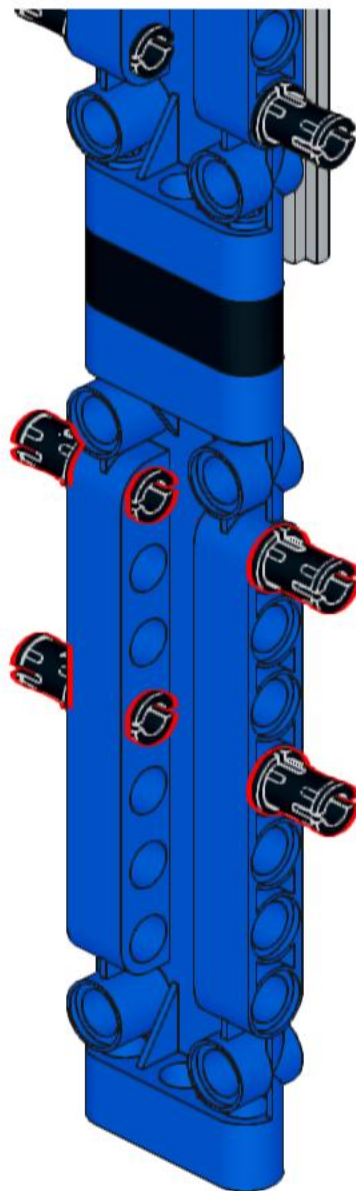
39



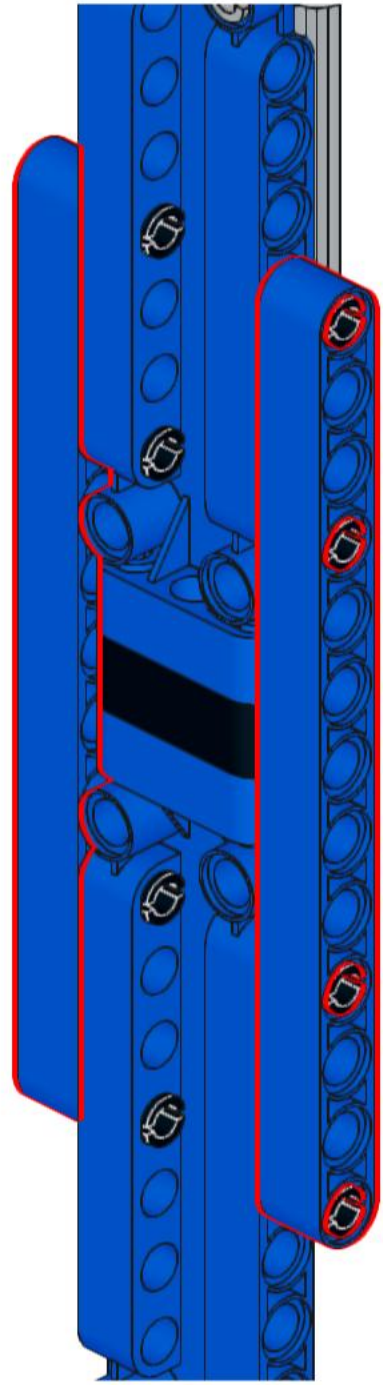
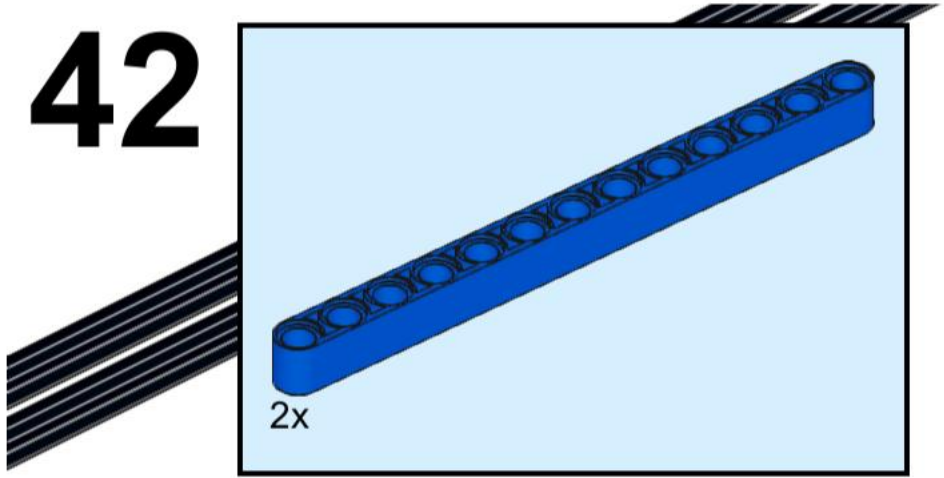
40



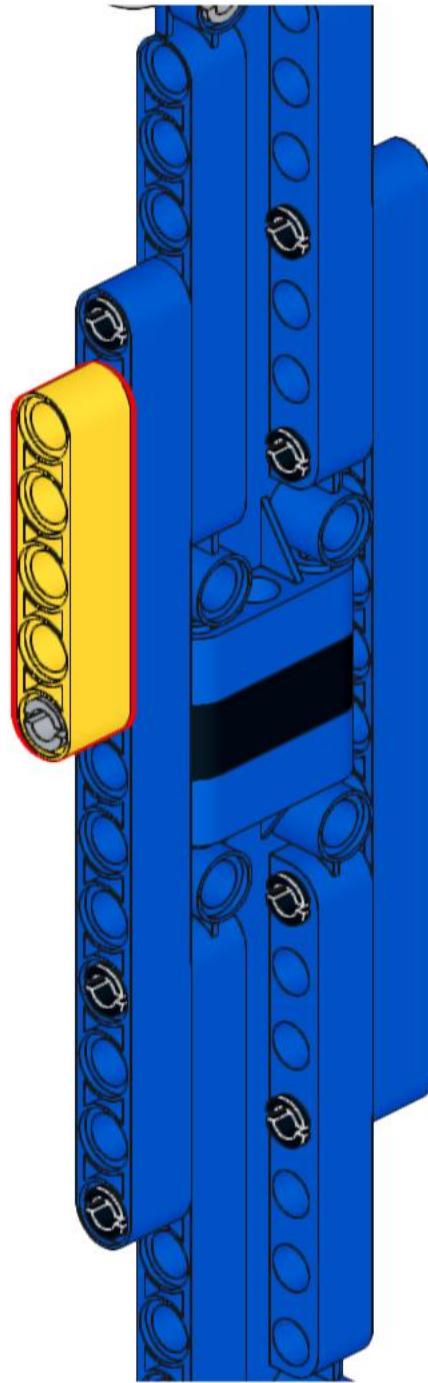
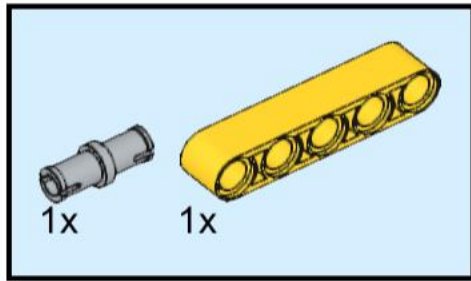
41



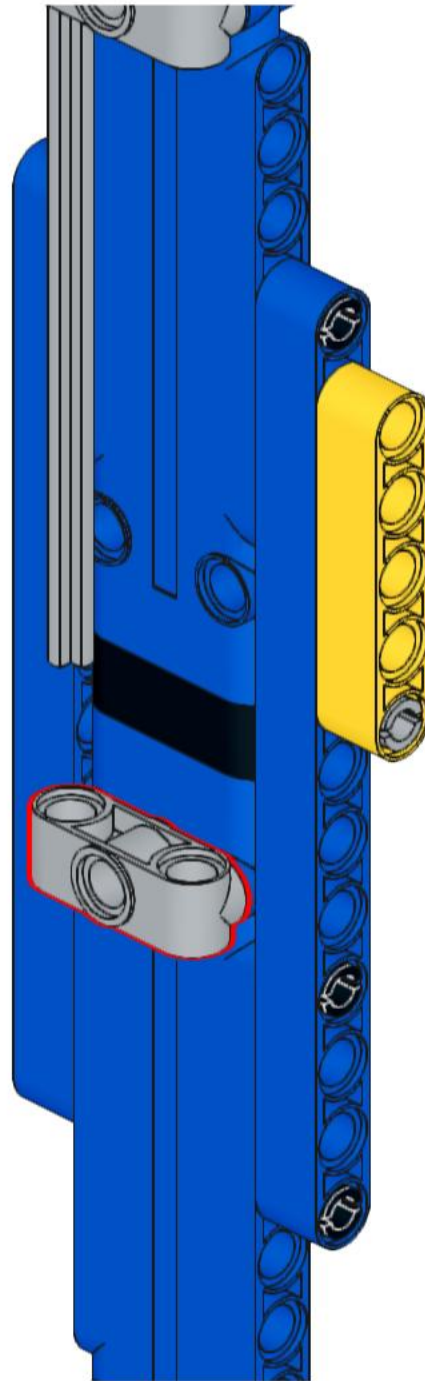
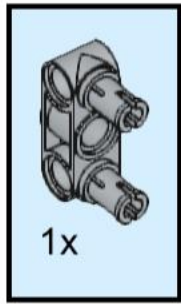
42



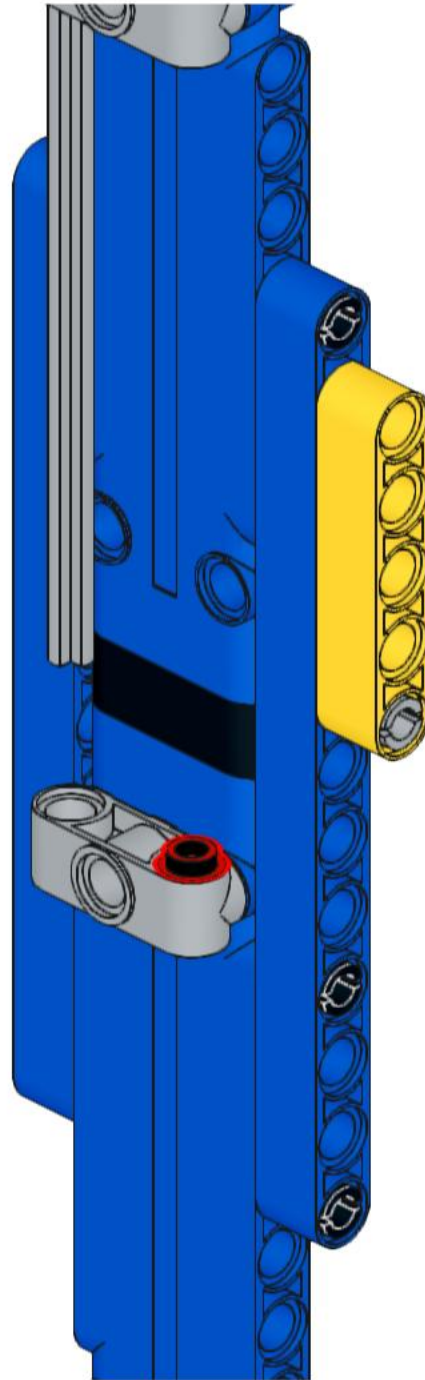
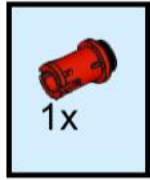
43



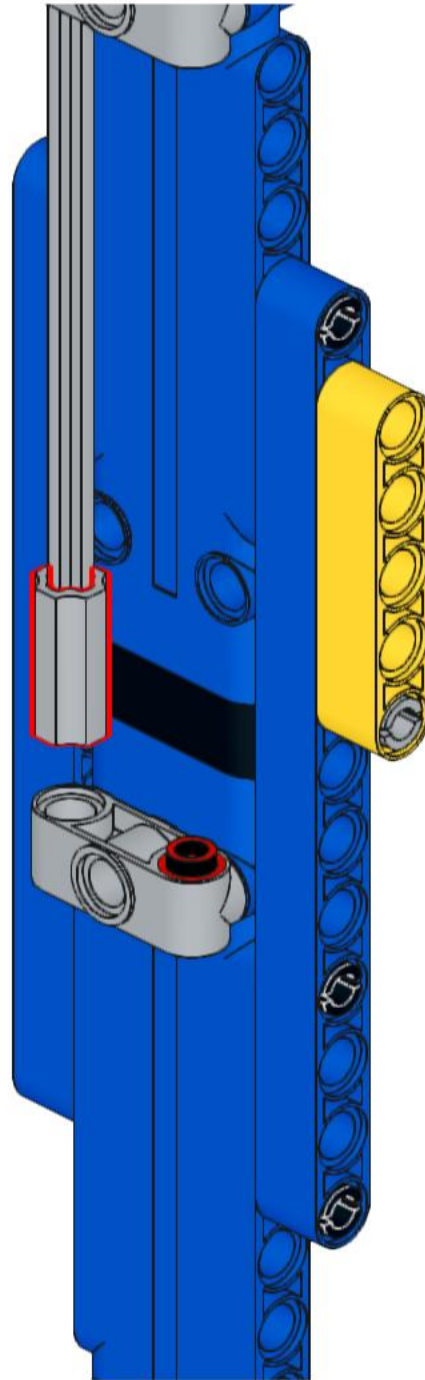
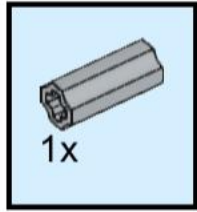
44



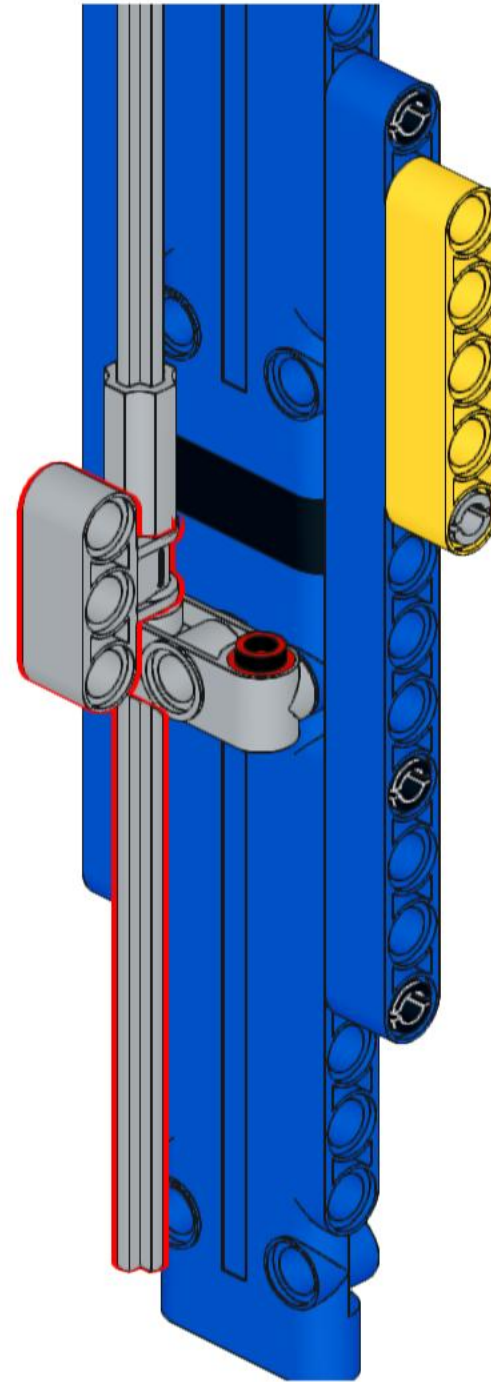
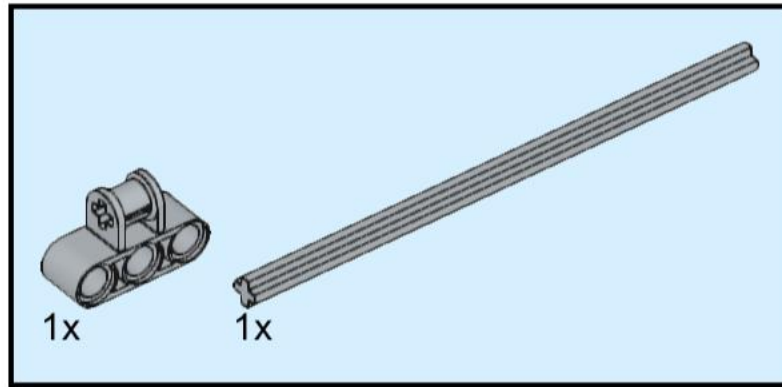
45



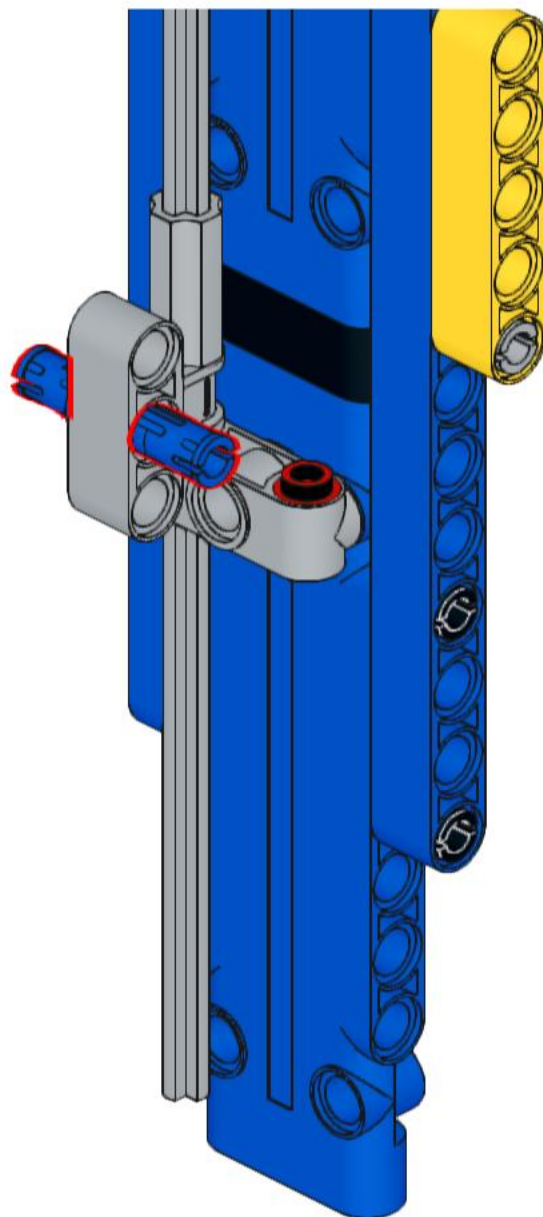
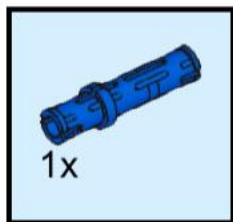
46



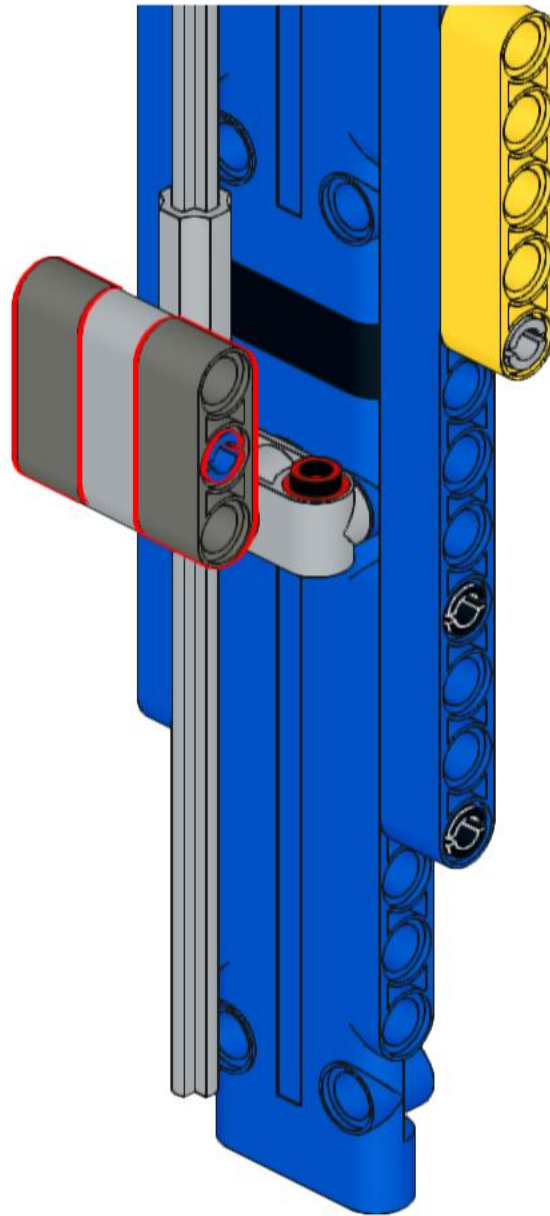
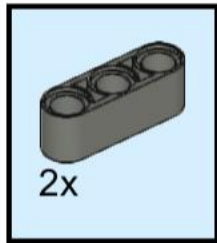
47



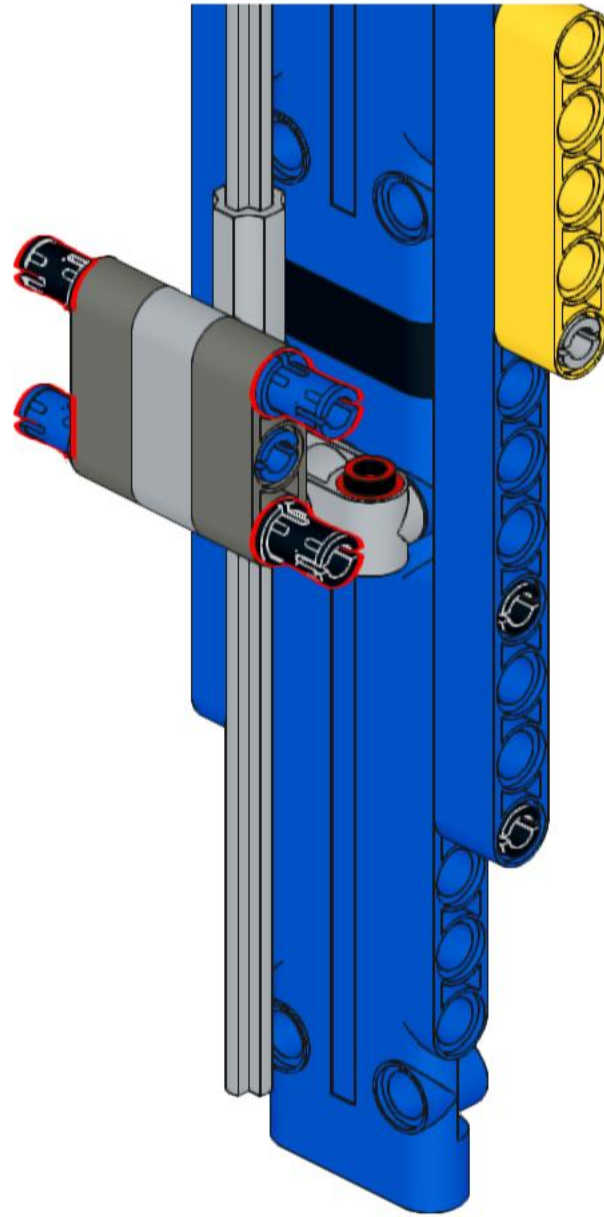
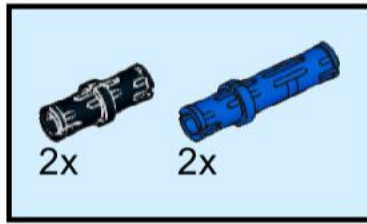
48



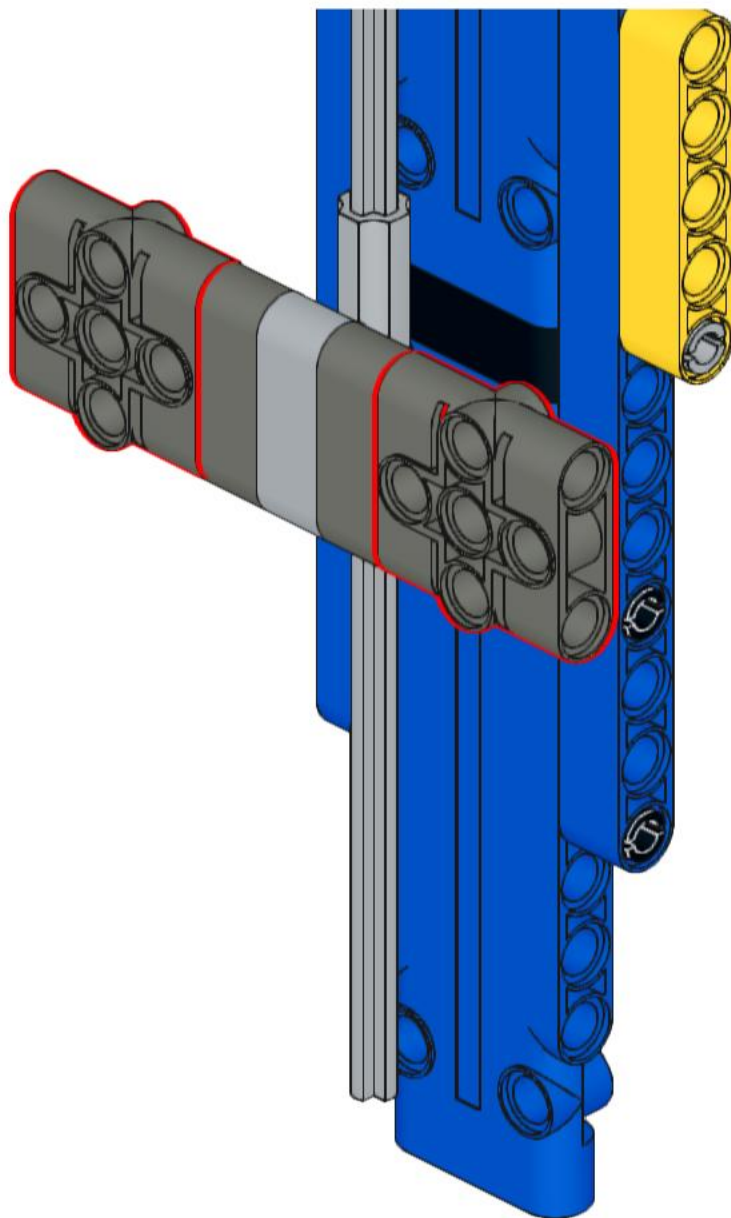
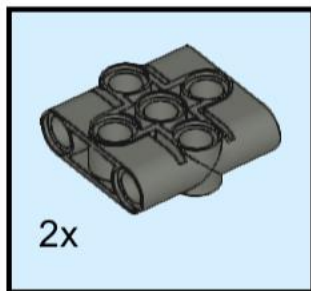
49



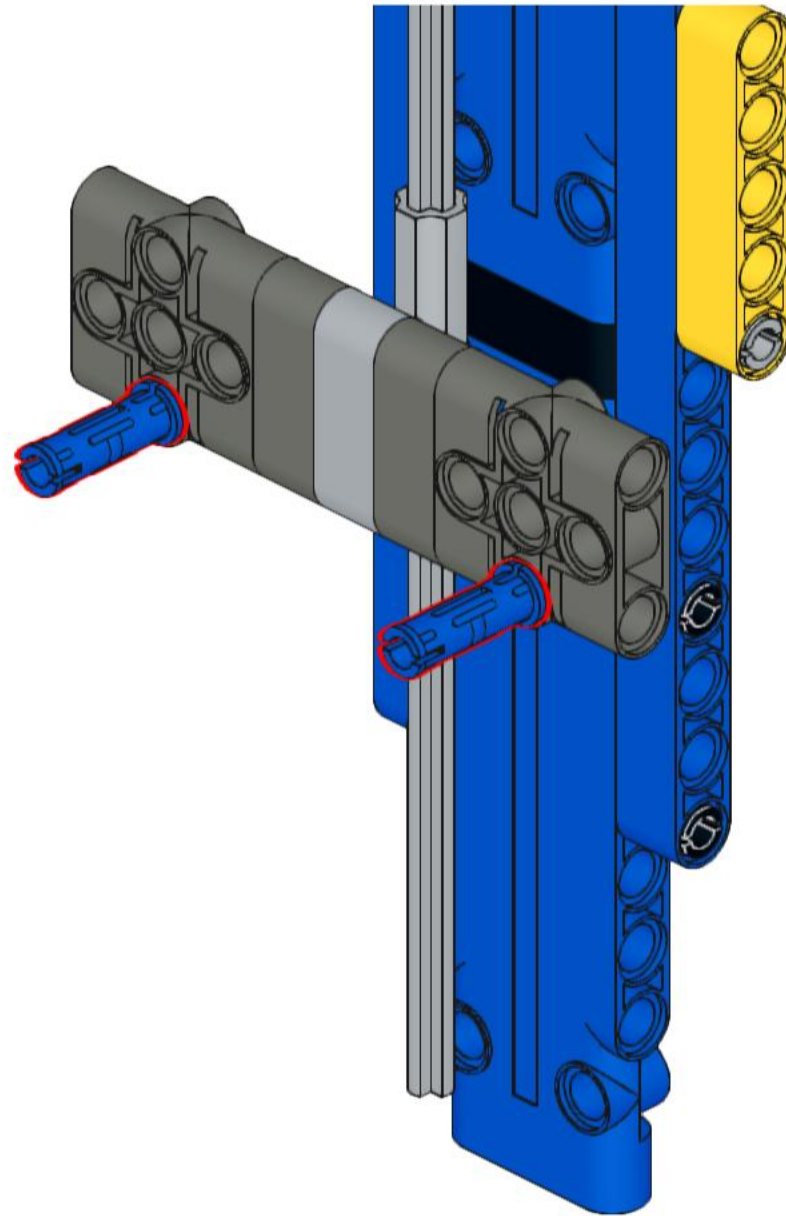
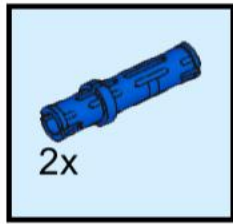
50



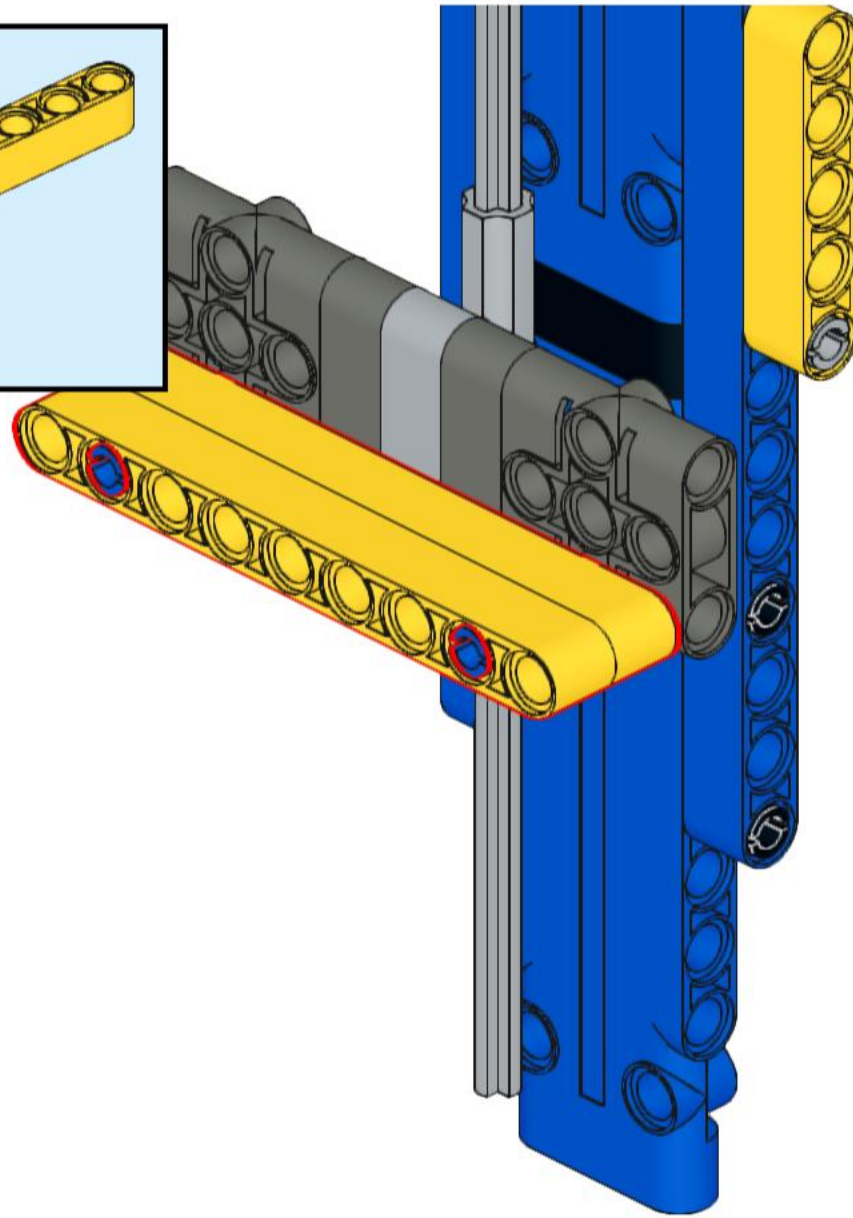
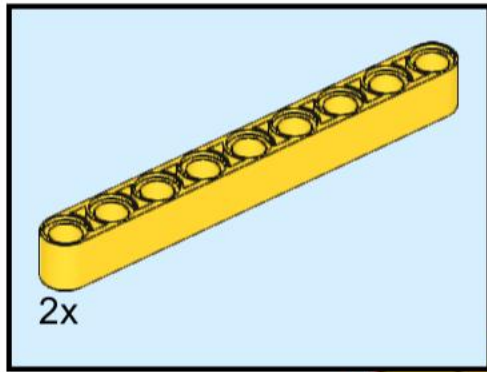
51



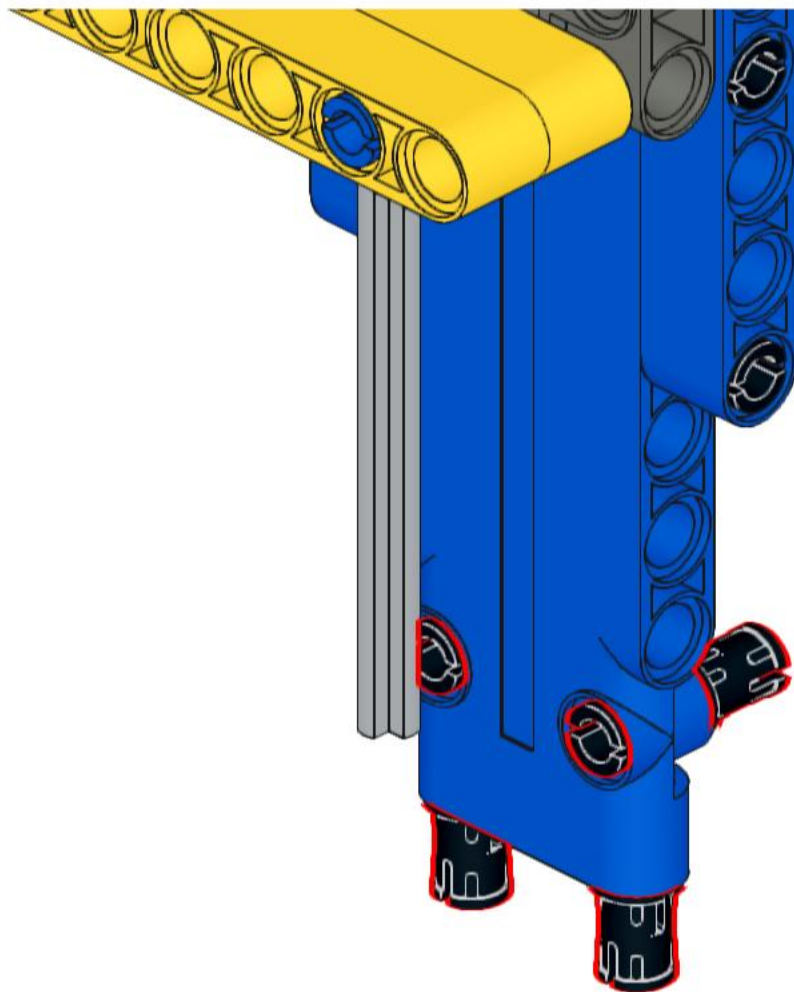
52



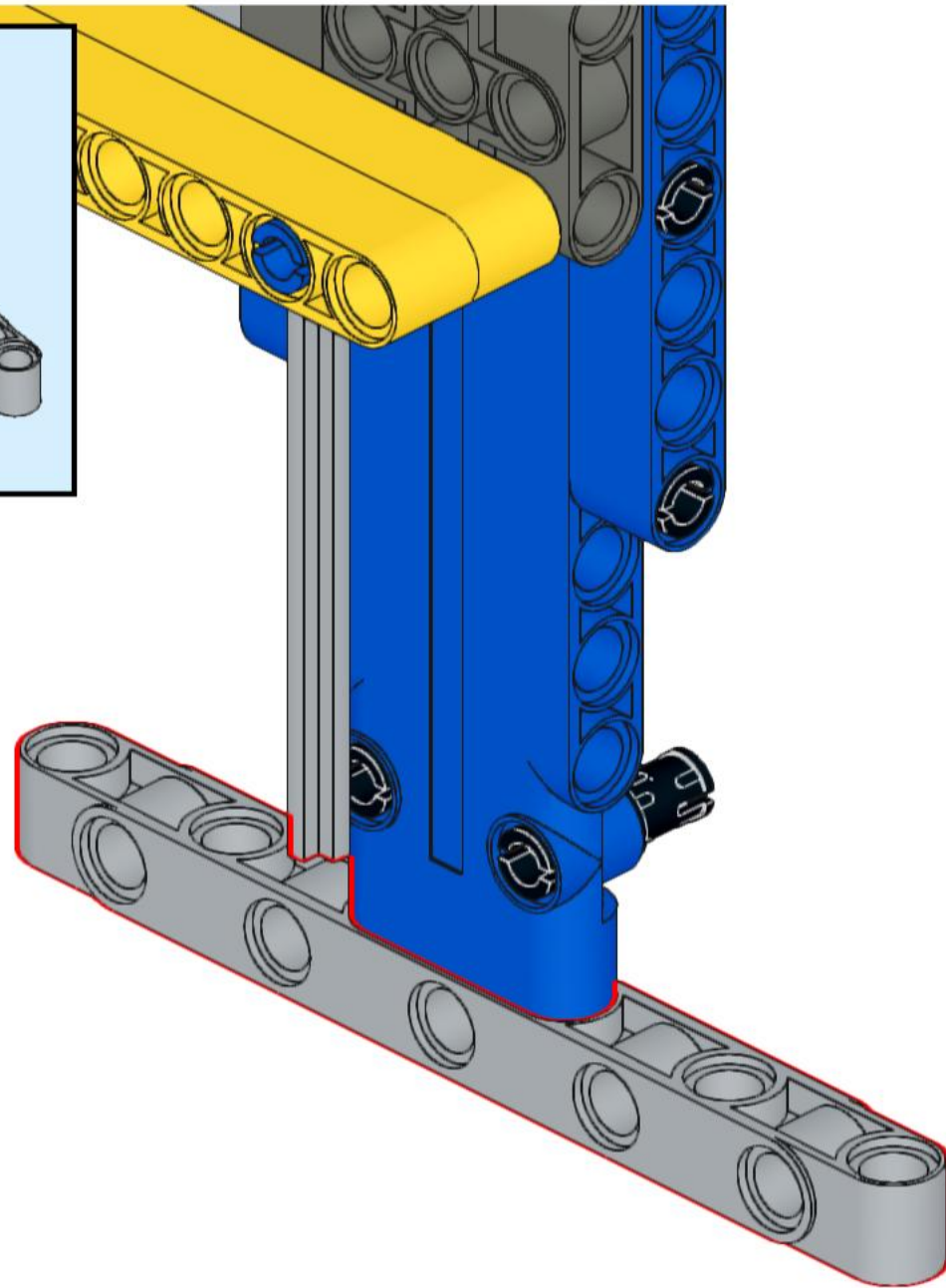
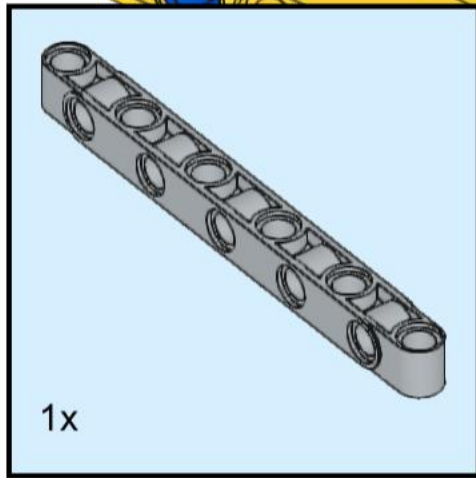
53



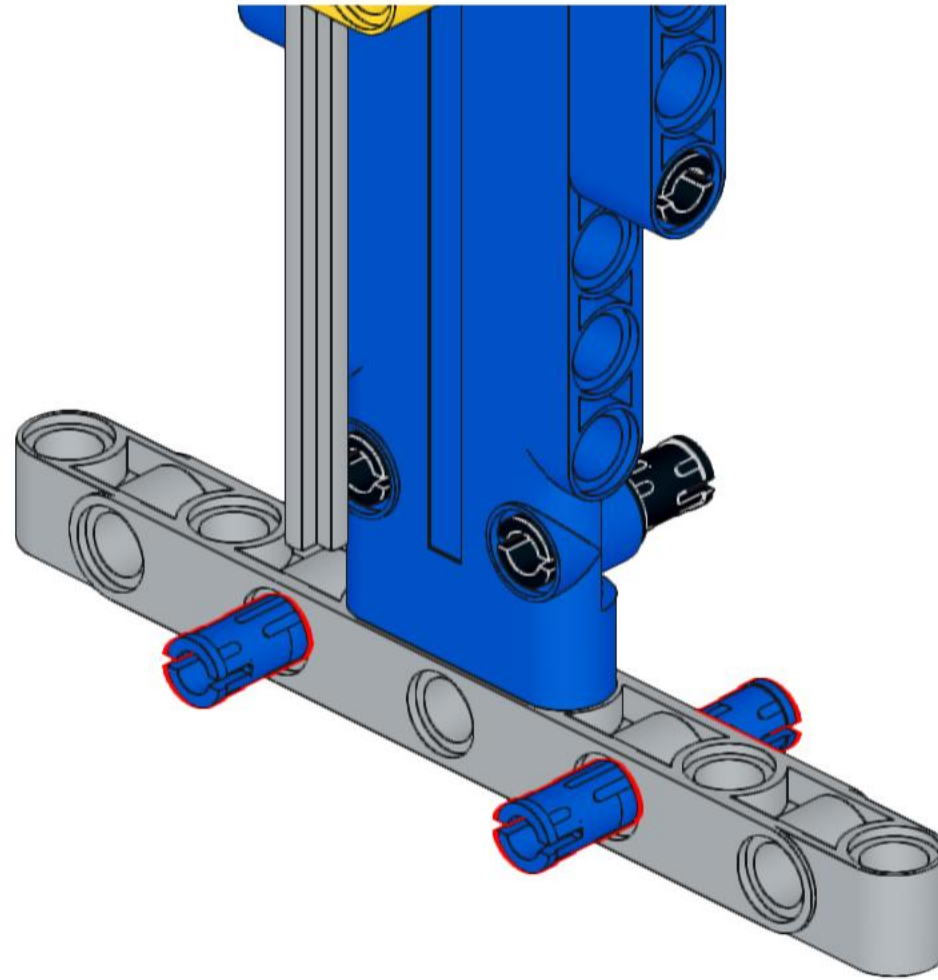
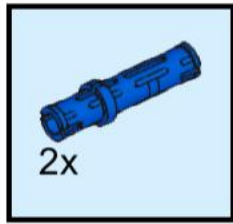
54



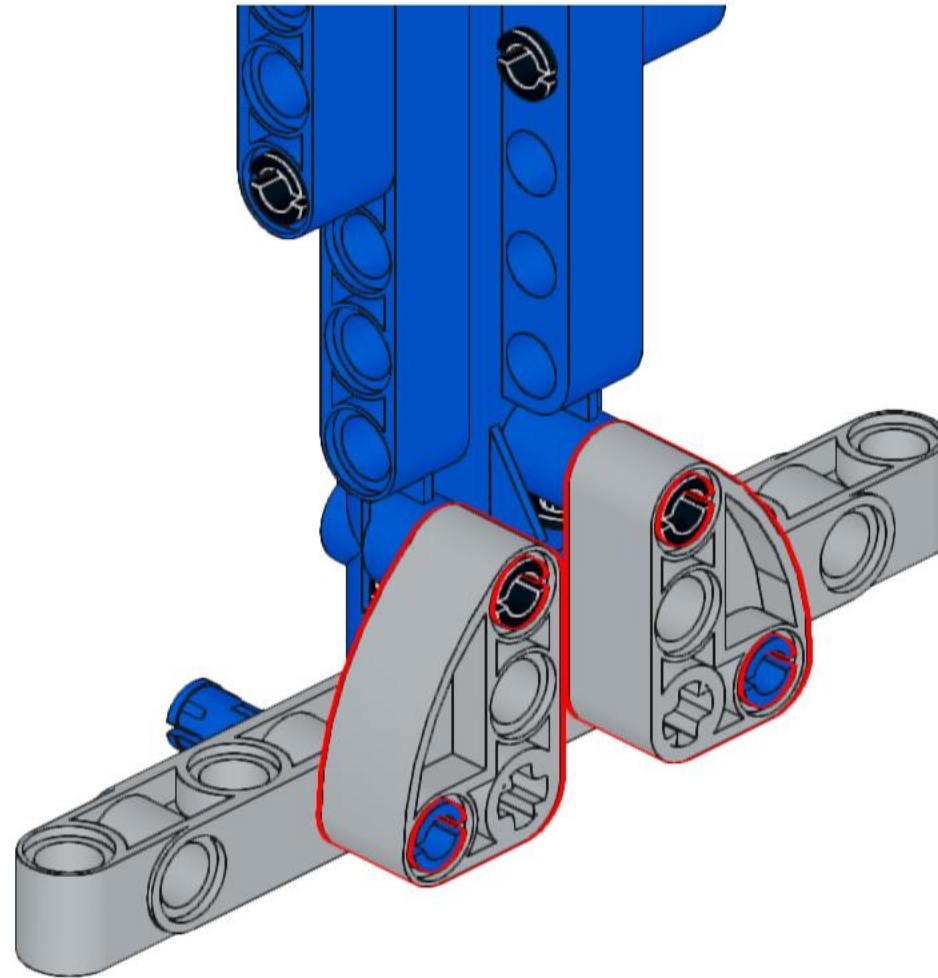
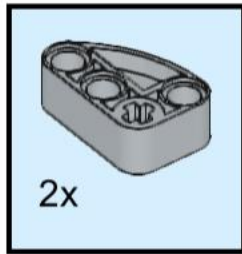
55



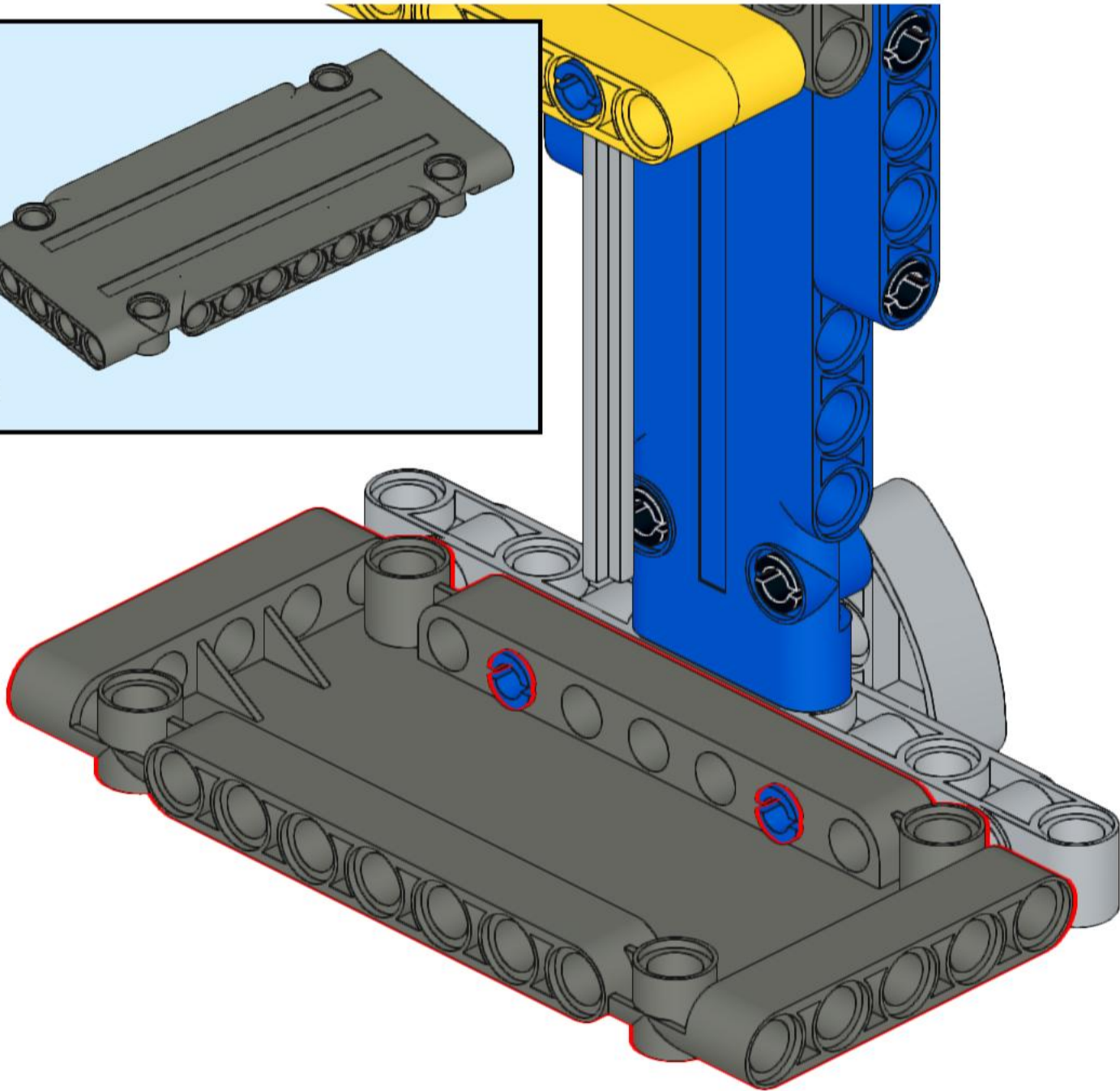
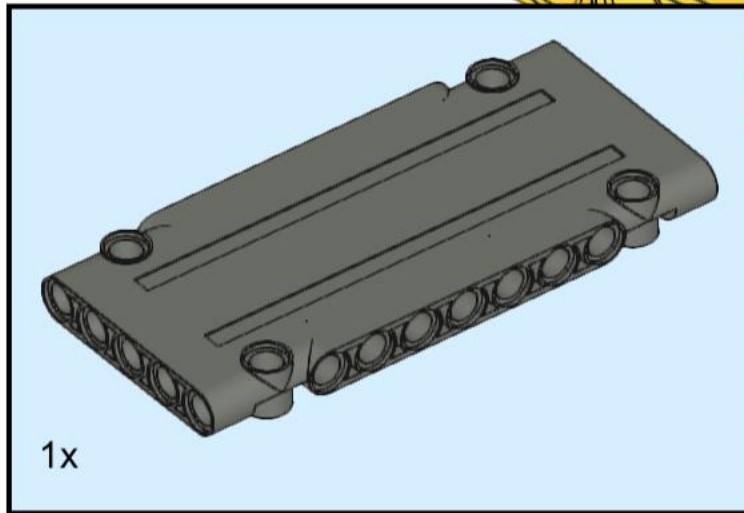
56



57

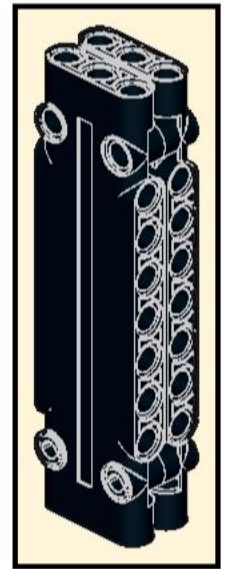
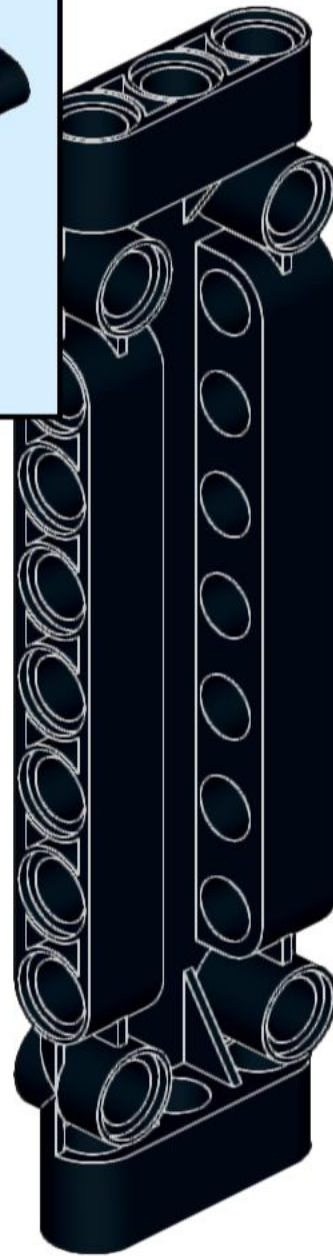
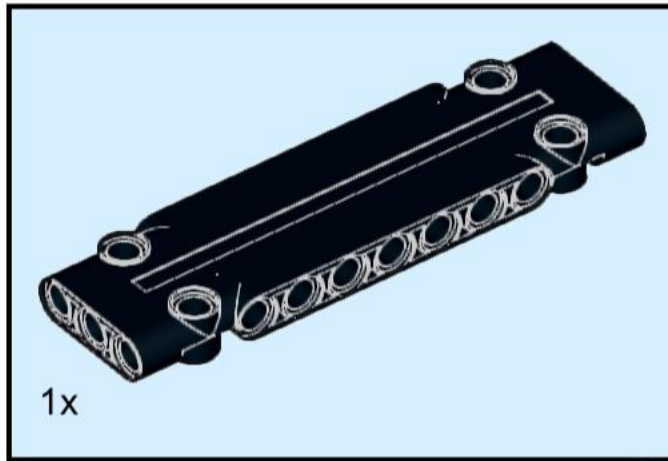


58

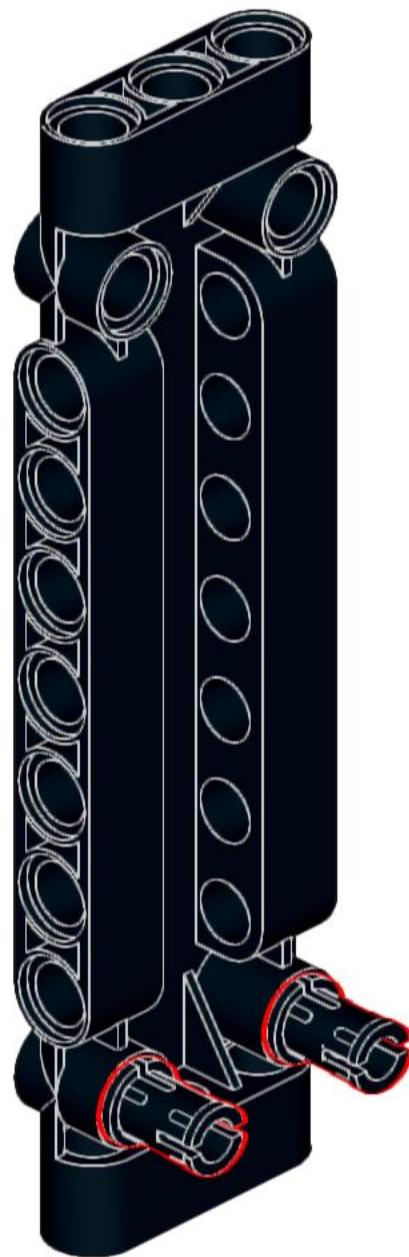


We couldn't recreate the submarine with the FLL chicken so we use dumbbells instead for the weight to be similar

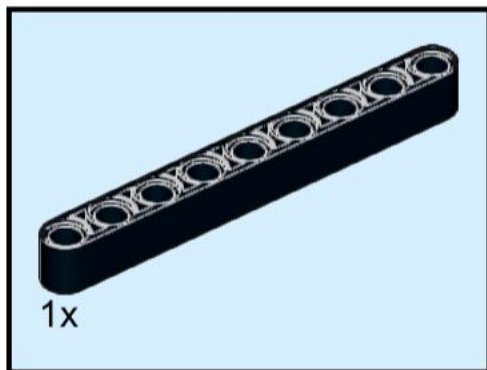
59



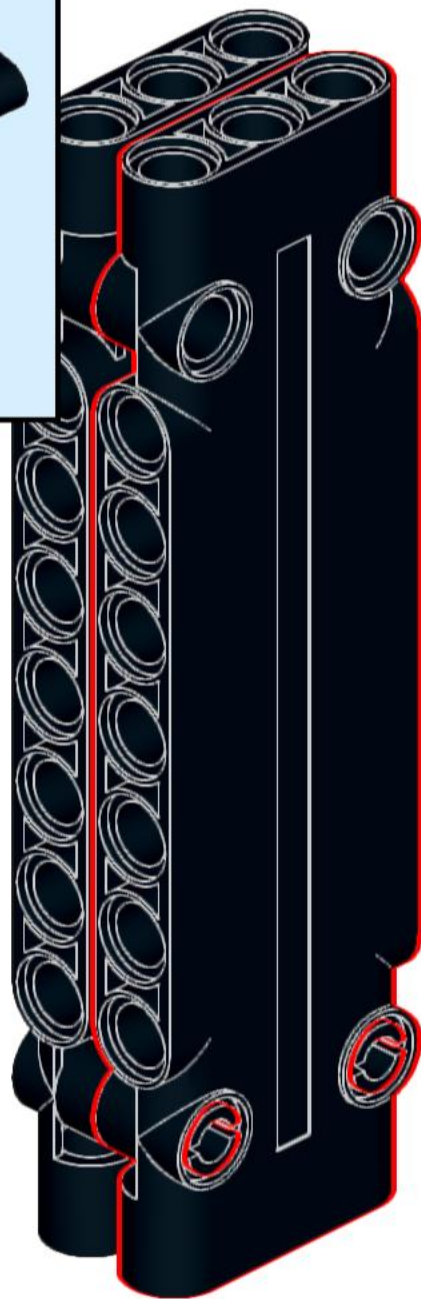
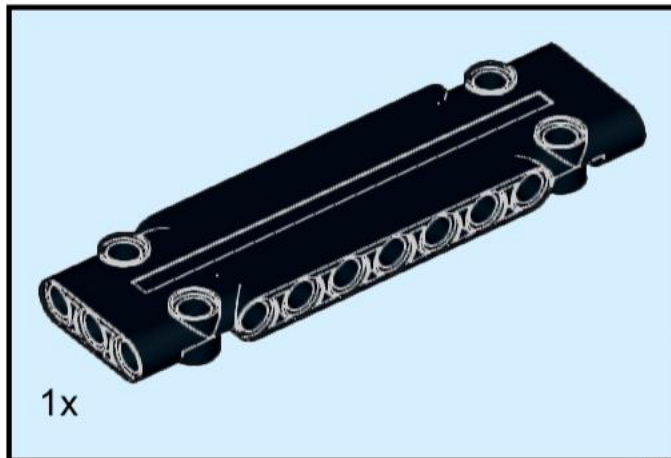
60



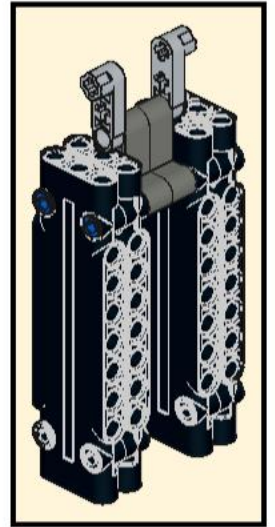
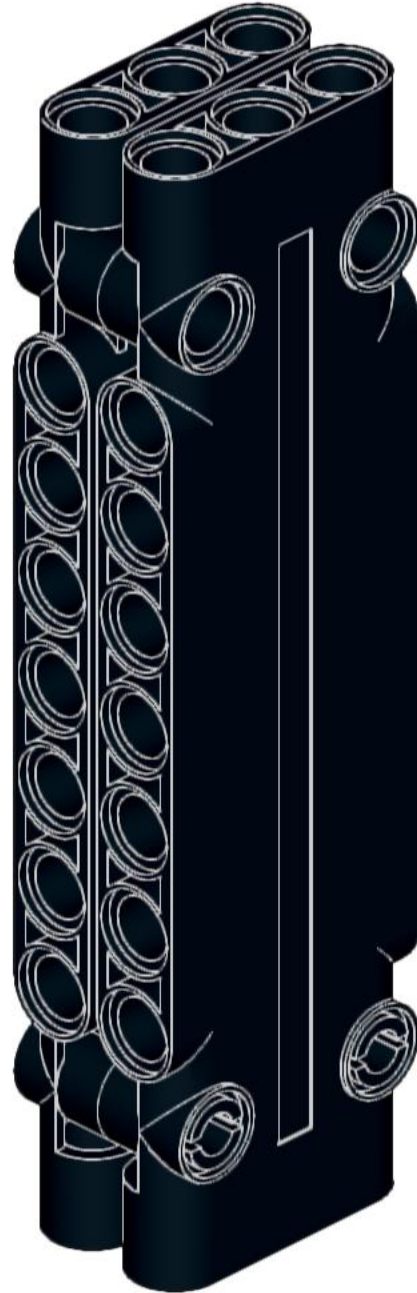
61



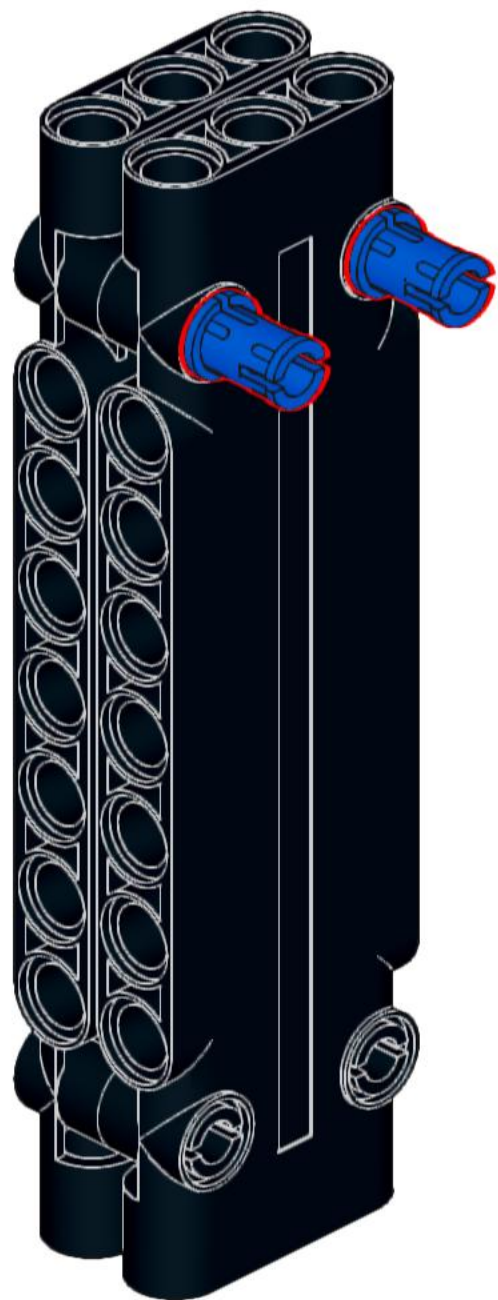
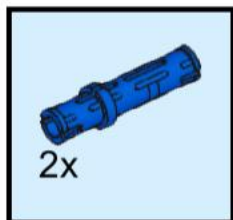
62



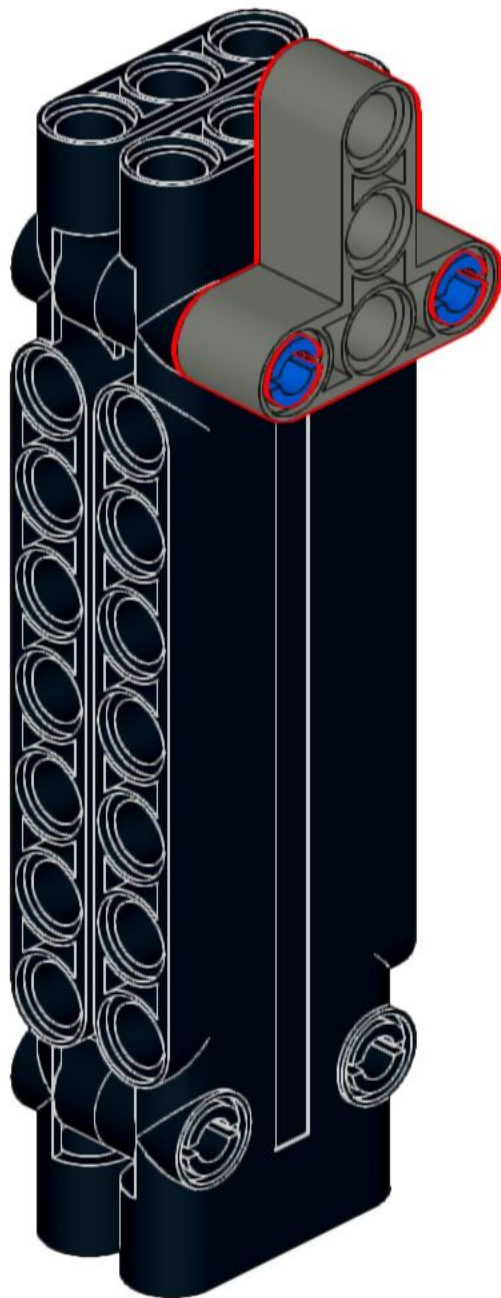
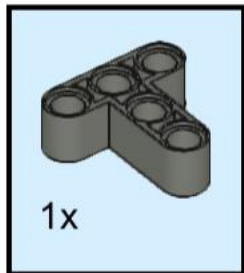
63



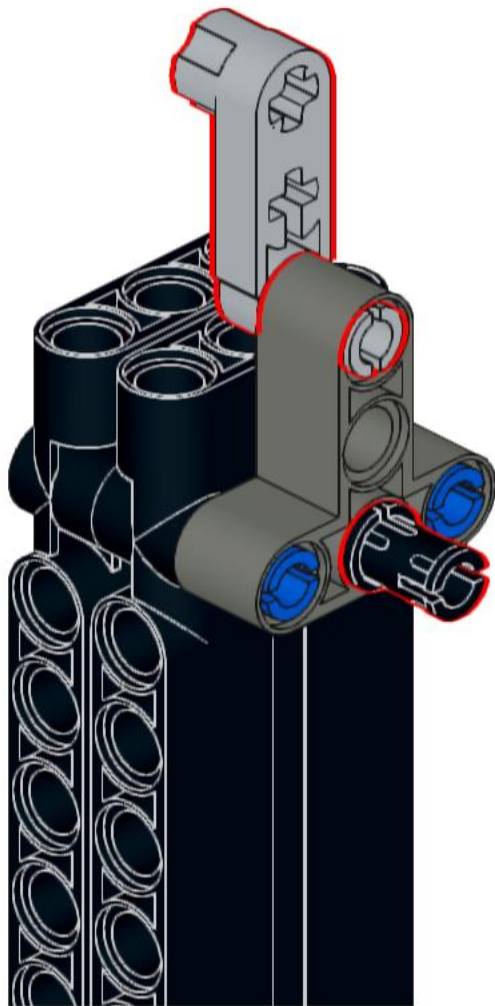
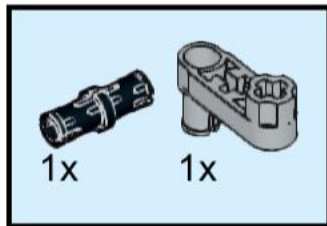
64



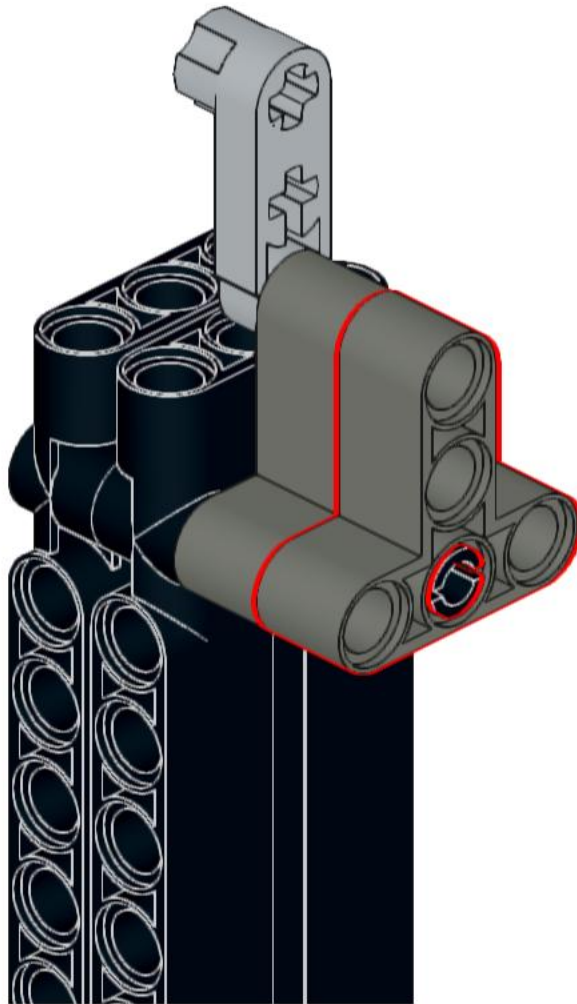
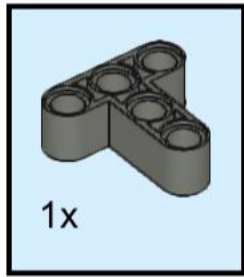
65



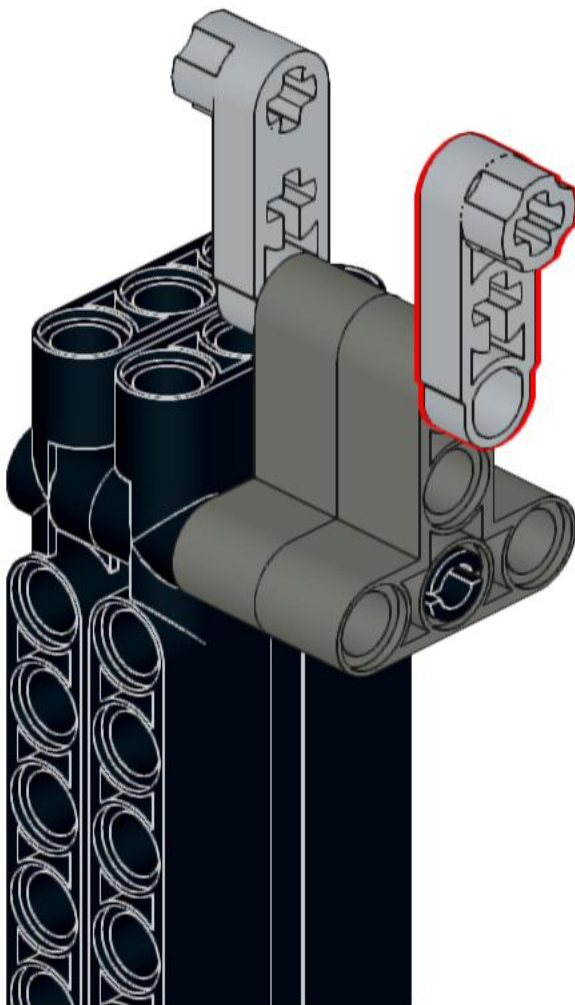
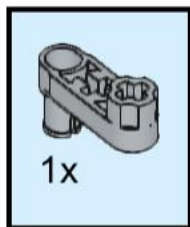
66



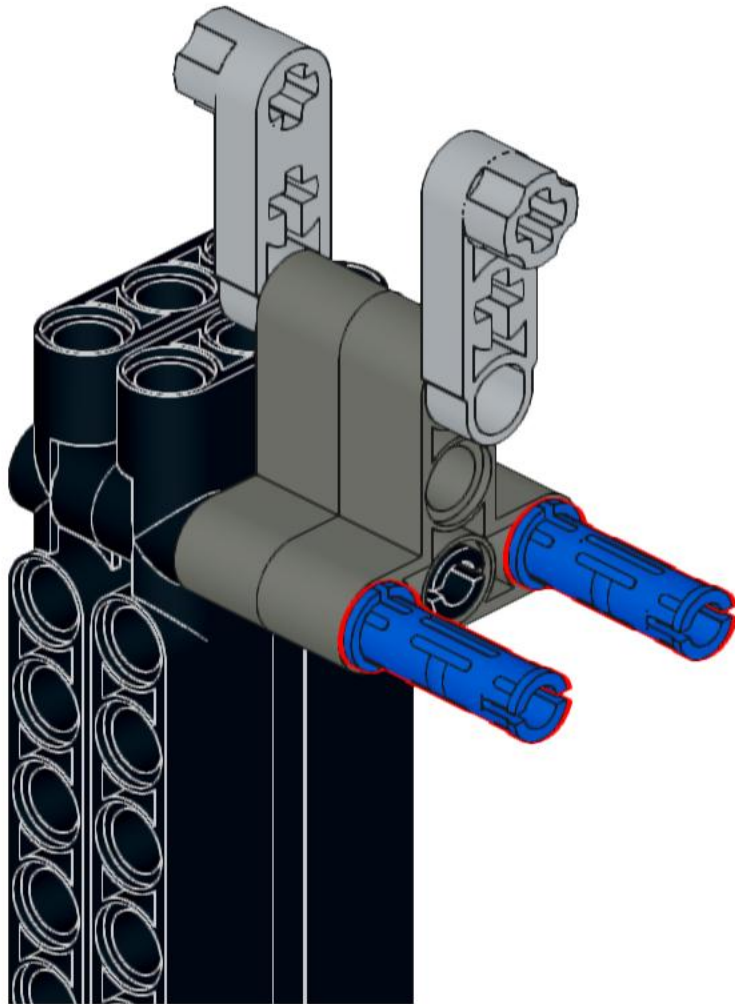
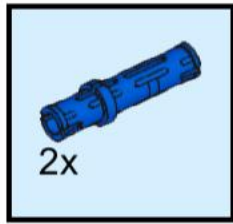
67



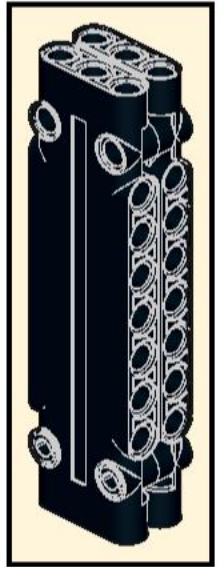
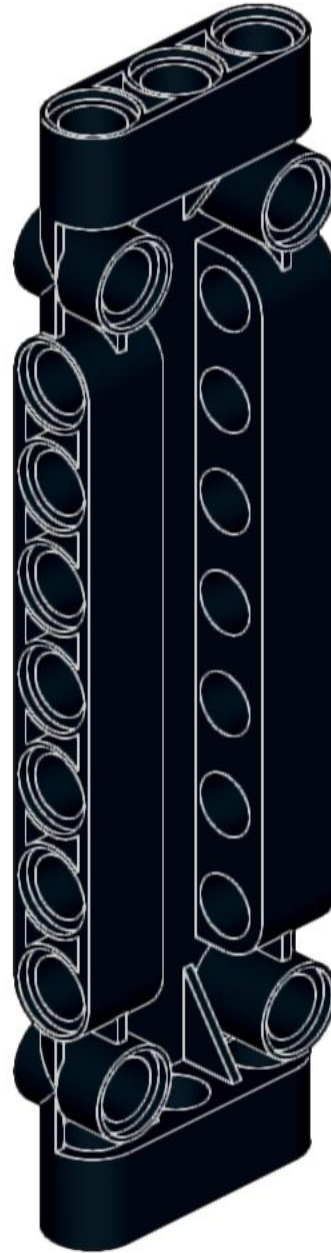
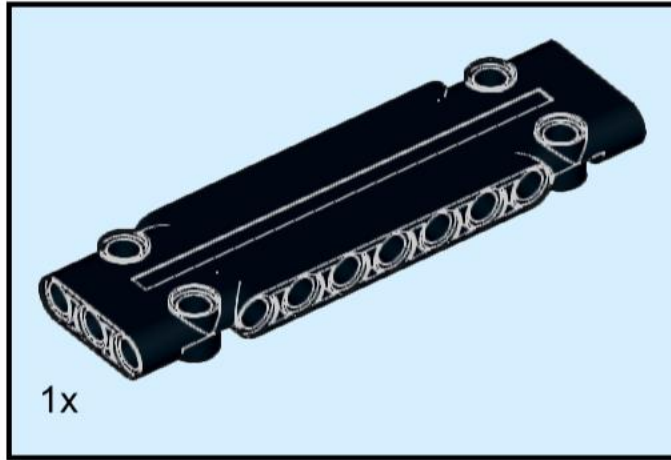
68



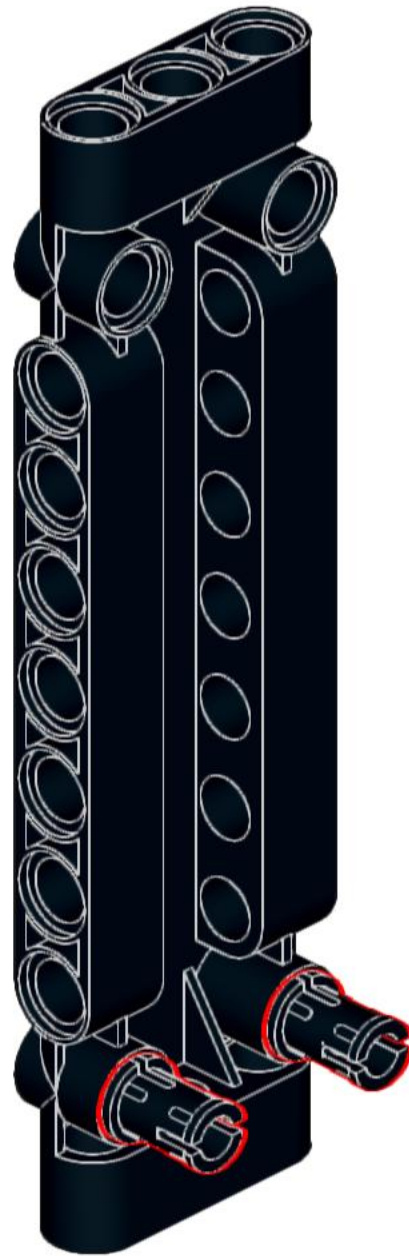
69



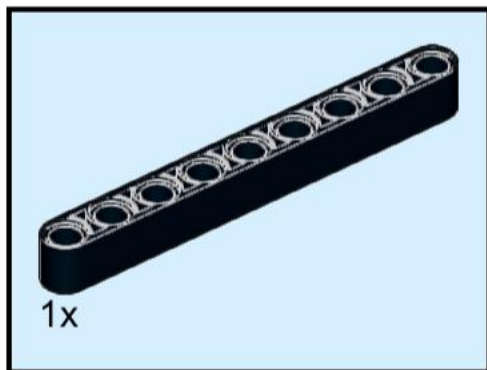
70



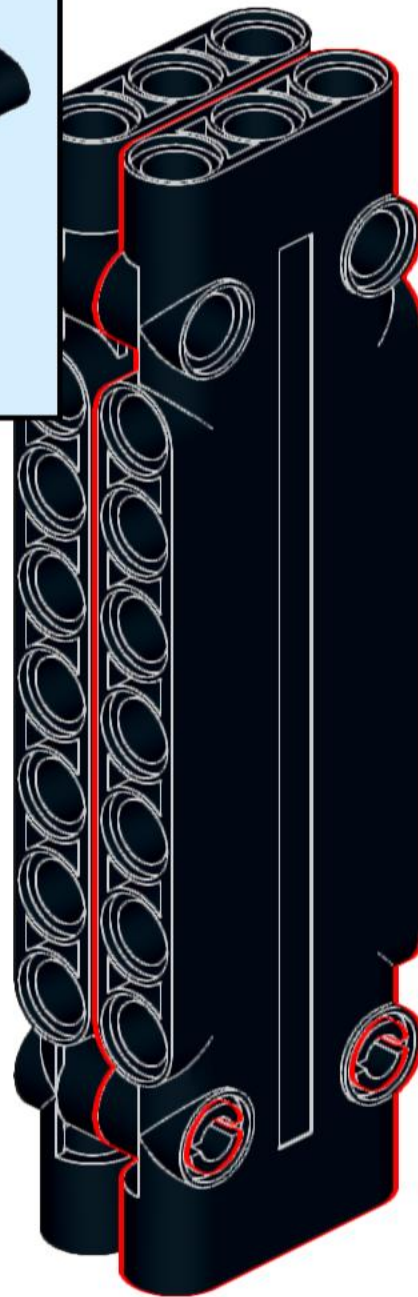
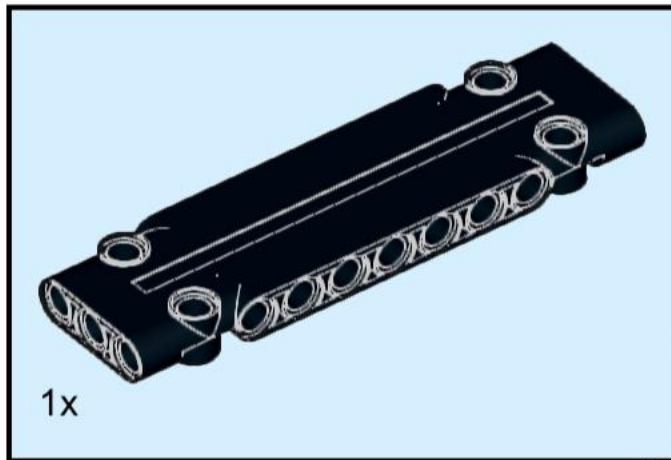
71



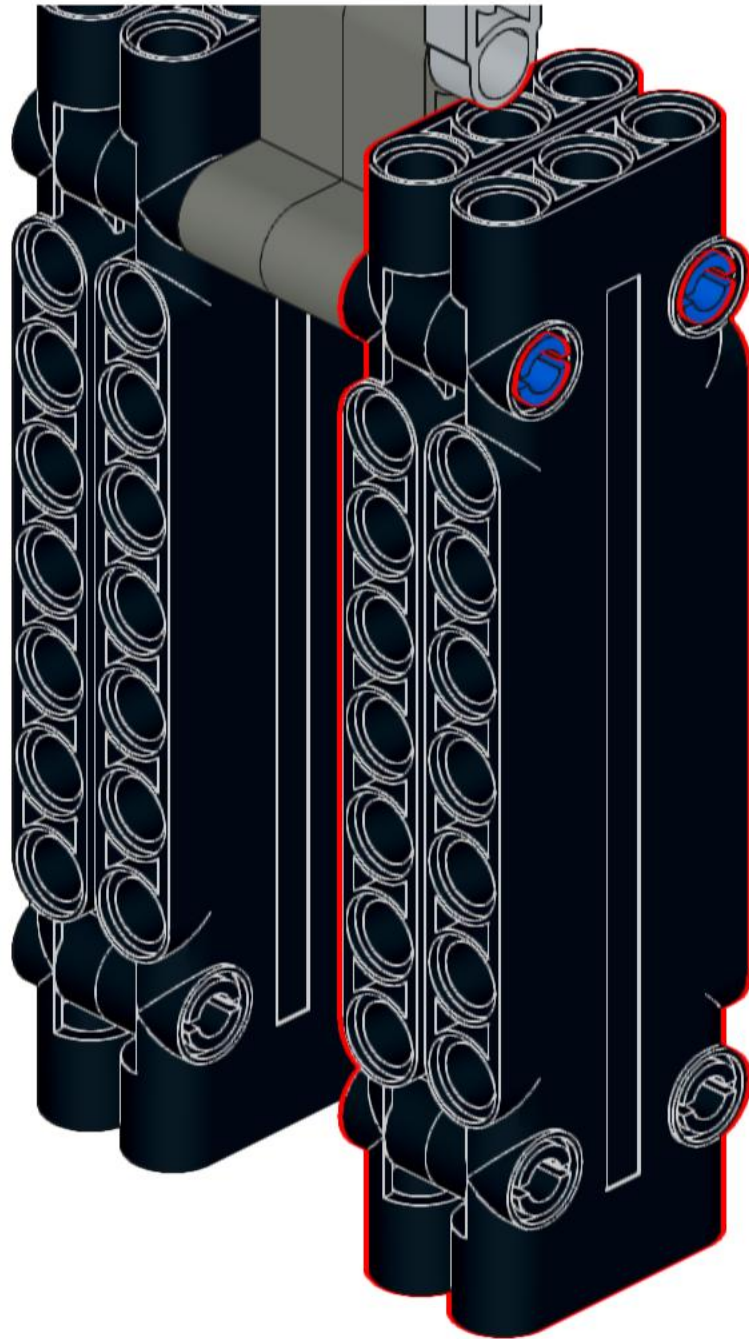
72



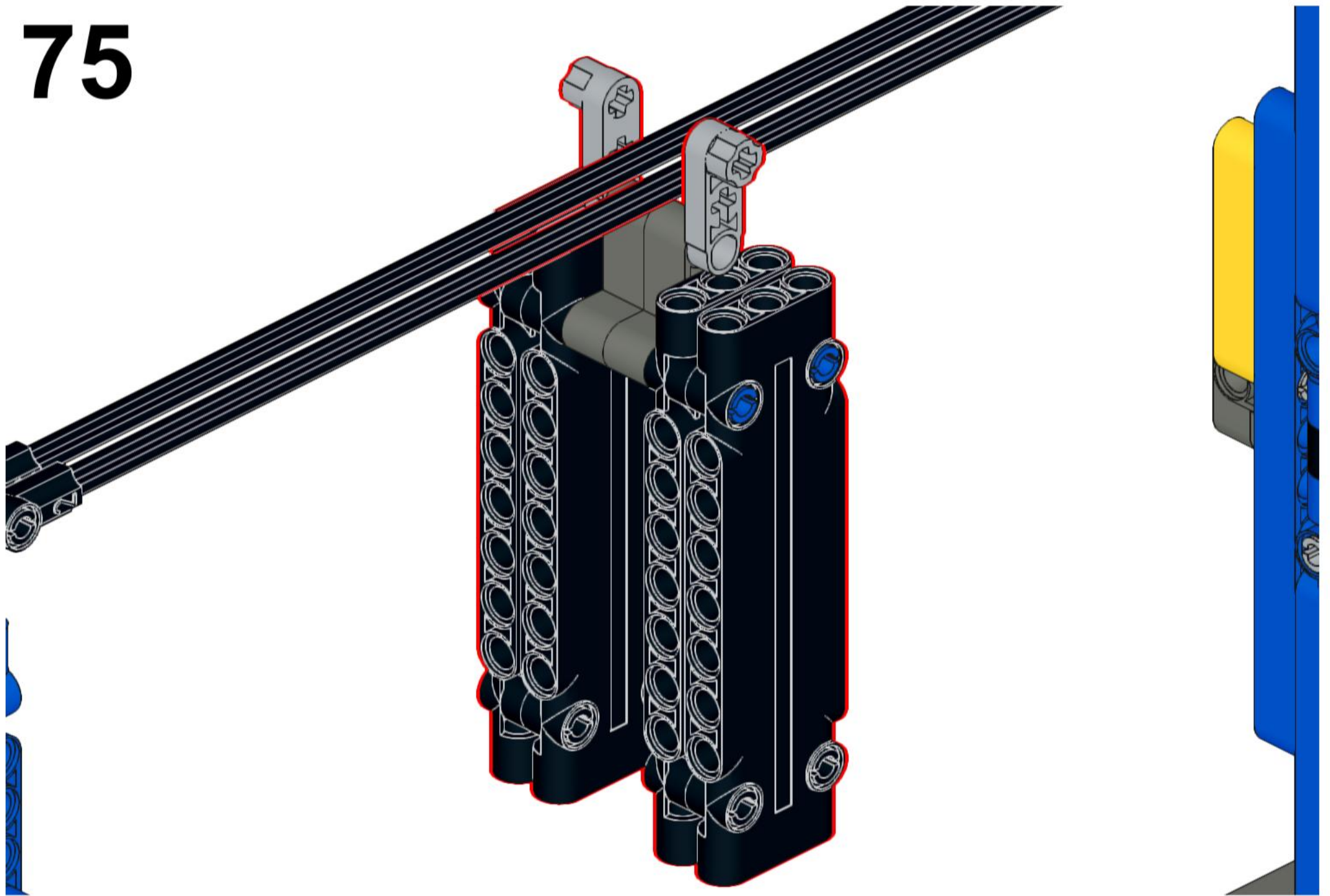
73



74



75



76

